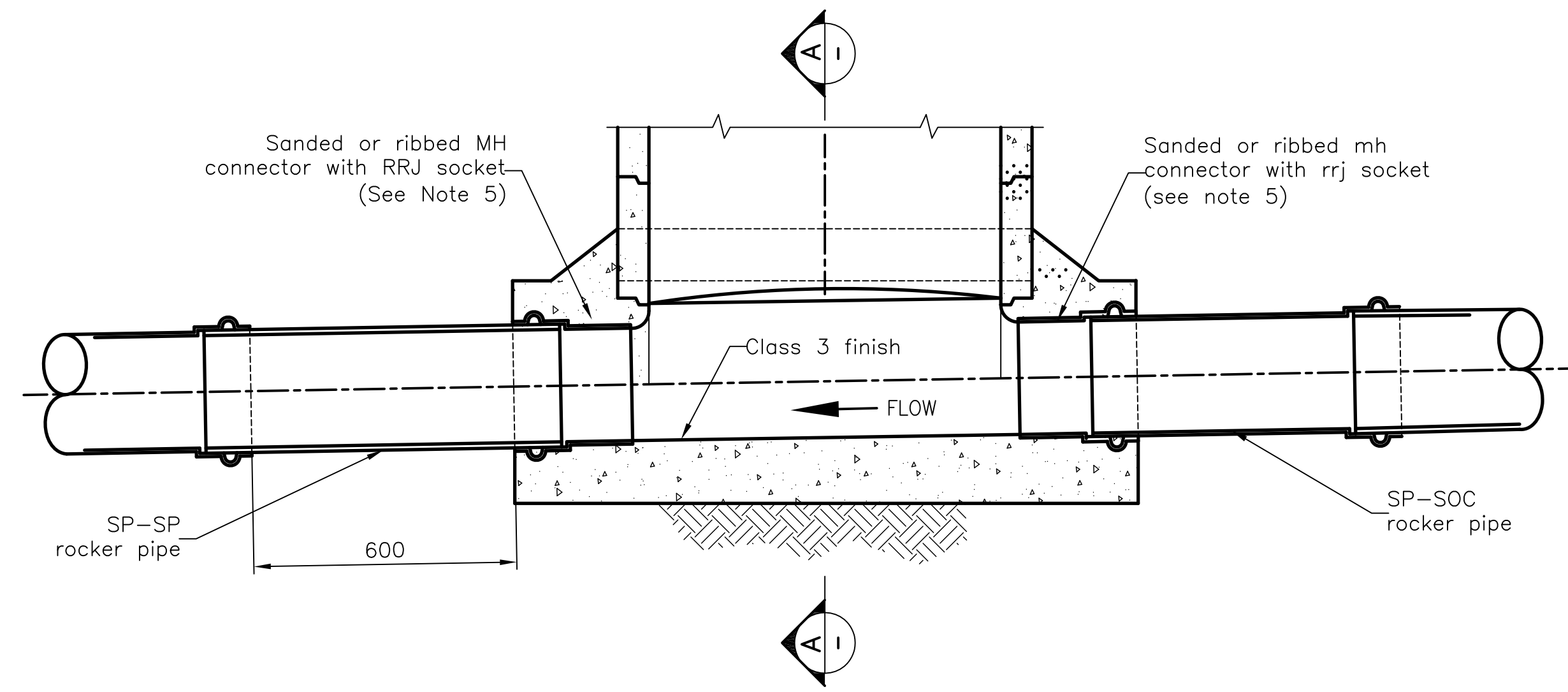
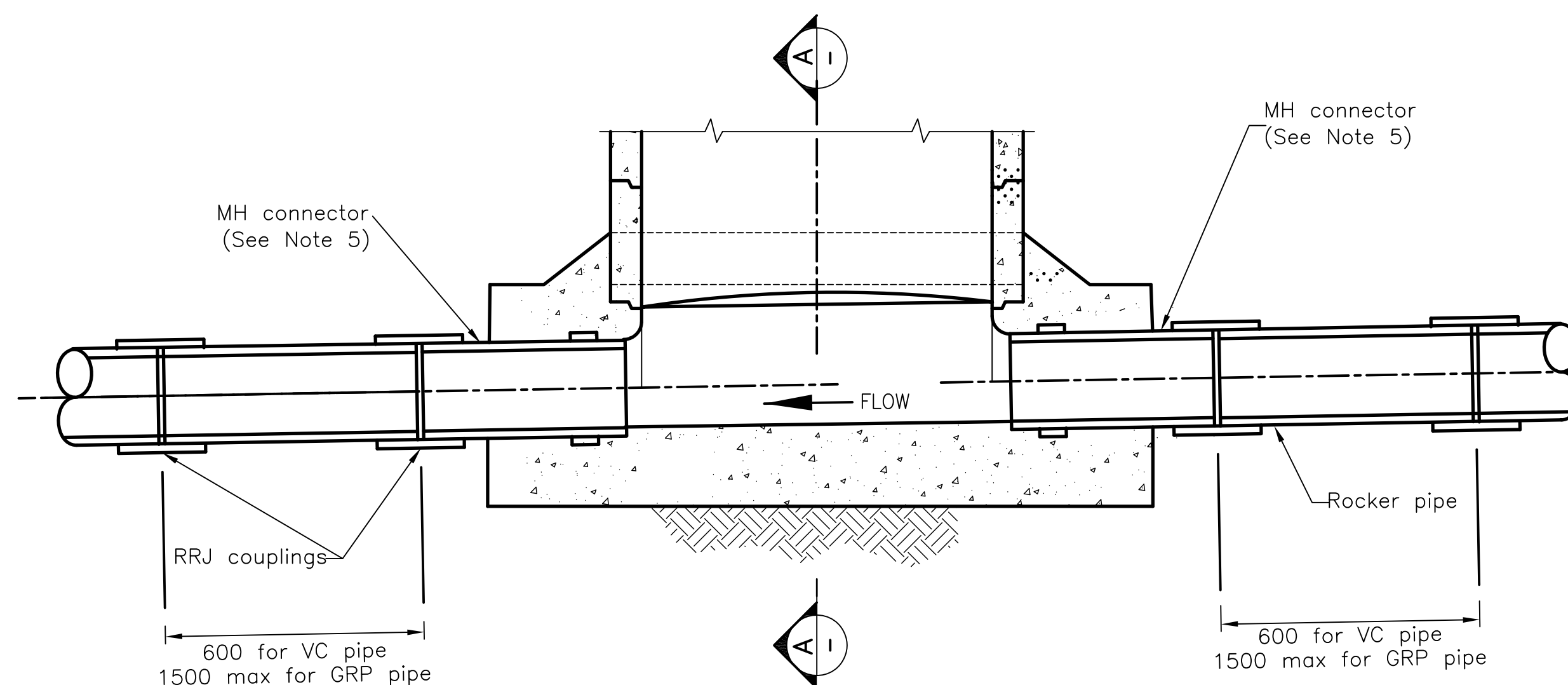


**TYPICAL MAINTENANCE HOLE BASE FOR VC, RC & DI SEWERS**



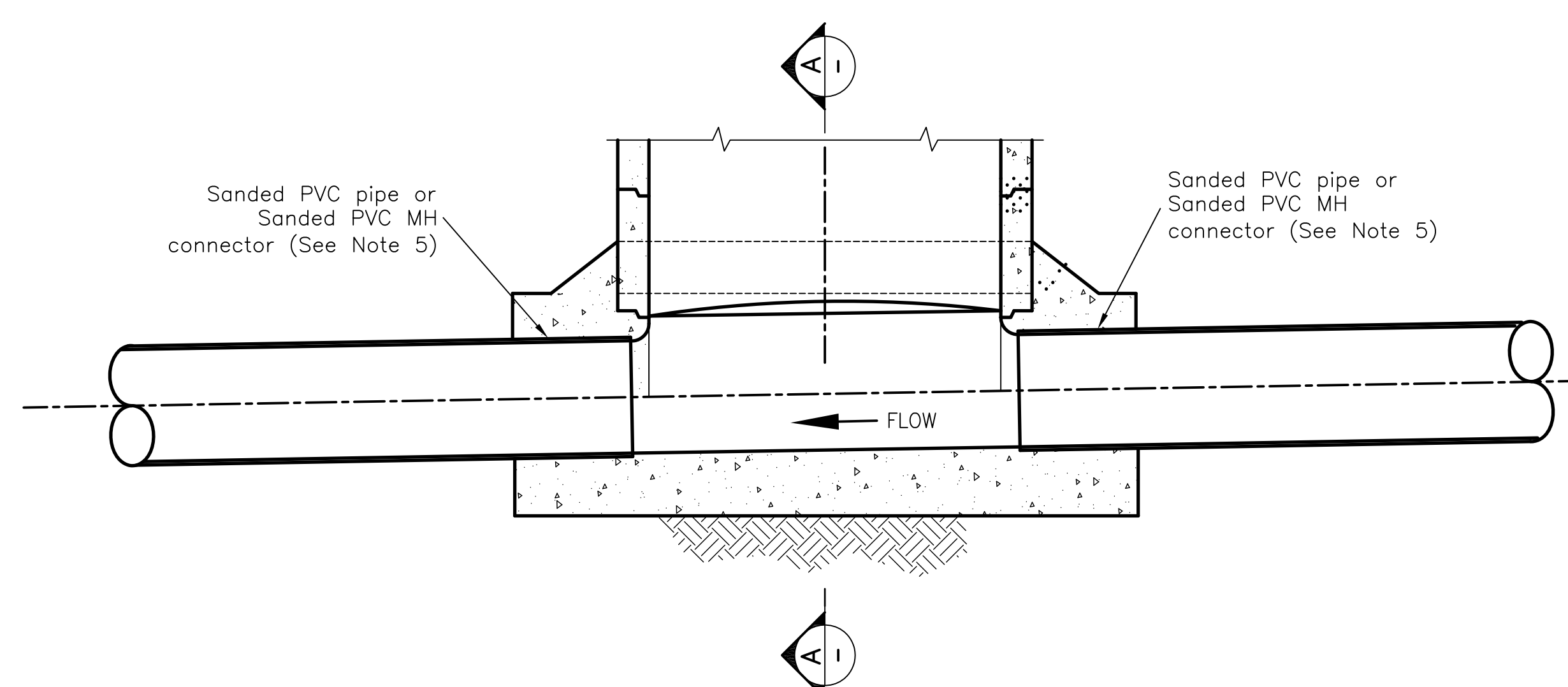
**TYPICAL MAINTENANCE HOLE BASE FOR RUBBER RING JOINT PVC & ABS SEWERS**

SEE VC, RC & DI BASE DETAILS FOR OTHER DIMENSIONS AND DETAILS (SEE NOTE 6)



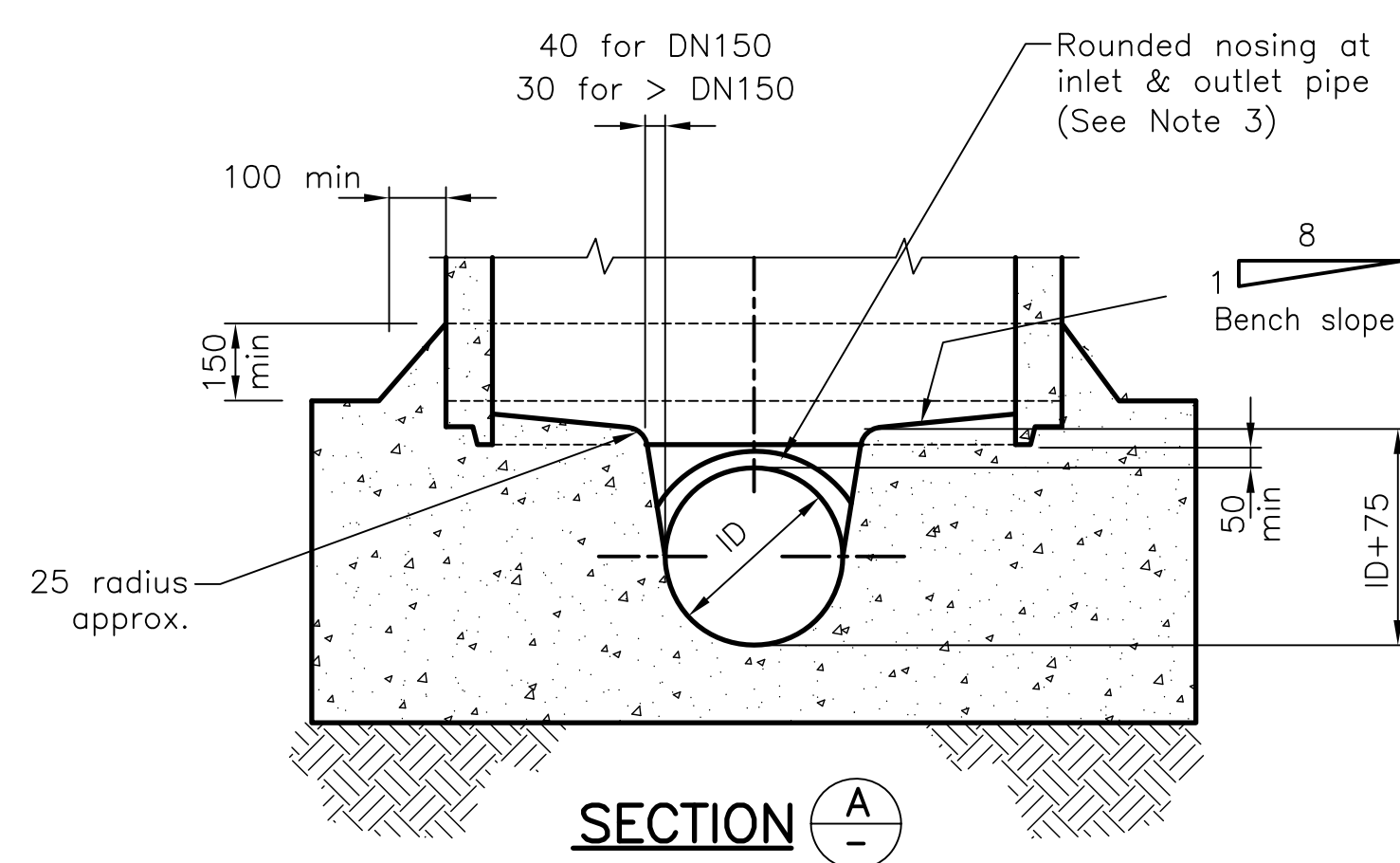
**TYPICAL MAINTENANCE HOLE BASE FOR VC & GRP SLEEVE COUPLED SEWERS**

SEE VC, RC & DI BASE DETAILS FOR OTHER DIMENSIONAL DETAILS



**TYPICAL MAINTENANCE HOLE BASE FOR SOLVENT CEMENT JOINT PVC SEWERS**

SEE VC, RC & DI BASE DETAILS FOR OTHER DIMENSIONS AND DETAILS (SEE NOTE 7)



**NOTE**

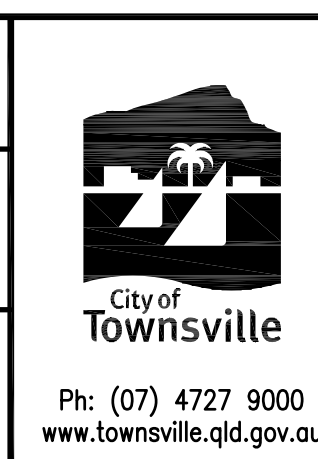
1. All dimensions in millimetres.
2. Pipe connection details apply to precast and cast in-situ mh (see SD-470) precast construction shown in this drawing.
3. Form rounded nosing on inlet & outlet pipes to prevent damage to jetting equipment, CCTV guides & cables.
4. PE connection methods shown on SD-485.
5. PVC, ABS & GRP MH connectors  $\geq$  DN300 to have weep rings and to be sanded.
6. Where specified use RRJ rocker pipes as shown in RRJ detail with solvent cement joint PVC sewers.
7. Not suitable if the soil bearing pressure is less than 100 kpa (see SD-481).
8. The use of precast concrete bases including connection details will be in accordance with water agency requirements.

No.	DATE	DESCRIPTION	AP'D
A		ORIGINAL ISSUE	
REVISIONS			

NOTES : BASED ON FORMER WSAА DRAWING SEW-1302

Full Size A1  
Not to Scale

DRAWN: DESIGN OFFICE  
CHECKED: D. MOSELEY  
Design Engineer Approved: Original signed by P. TURL  
Date: 26/07/2012  
Manager Approved: Original signed by P. MENDIOLEA  
Date: 26/07/2012



**MAINTENANCE HOLES  
PIPE CONNECTION DETAILS**

**STANDARD  
DRAWING  
SEWERAGE**

SD-484 | A