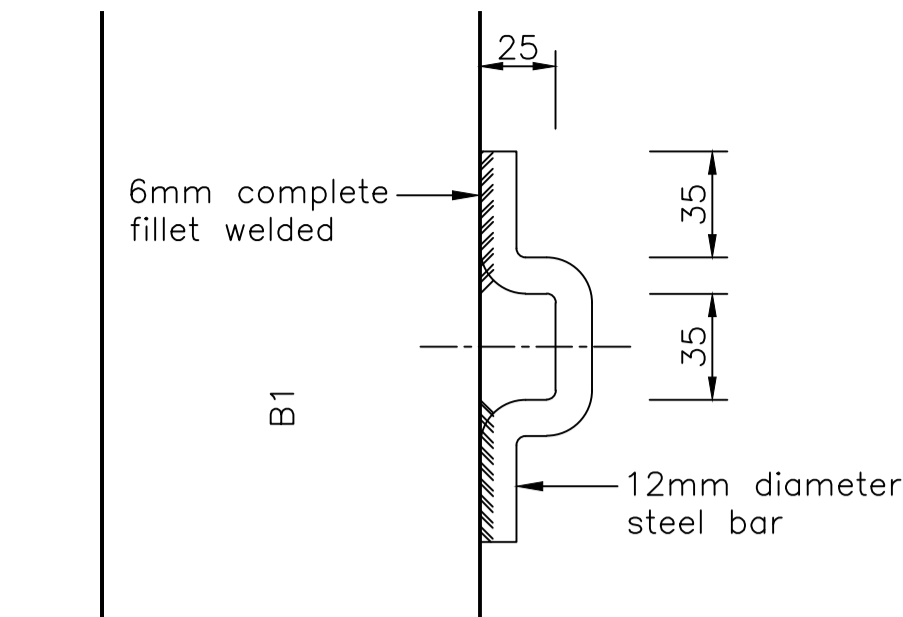
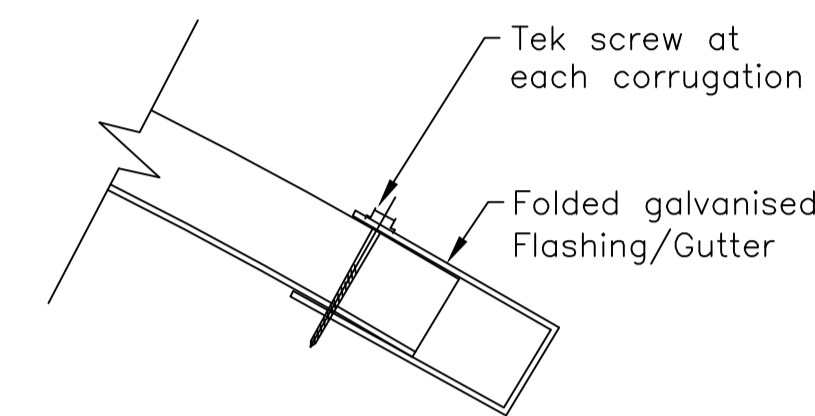


ROOF DETAILS



LIFTING LUG DETAIL



FLASHING/GUTTER DETAIL

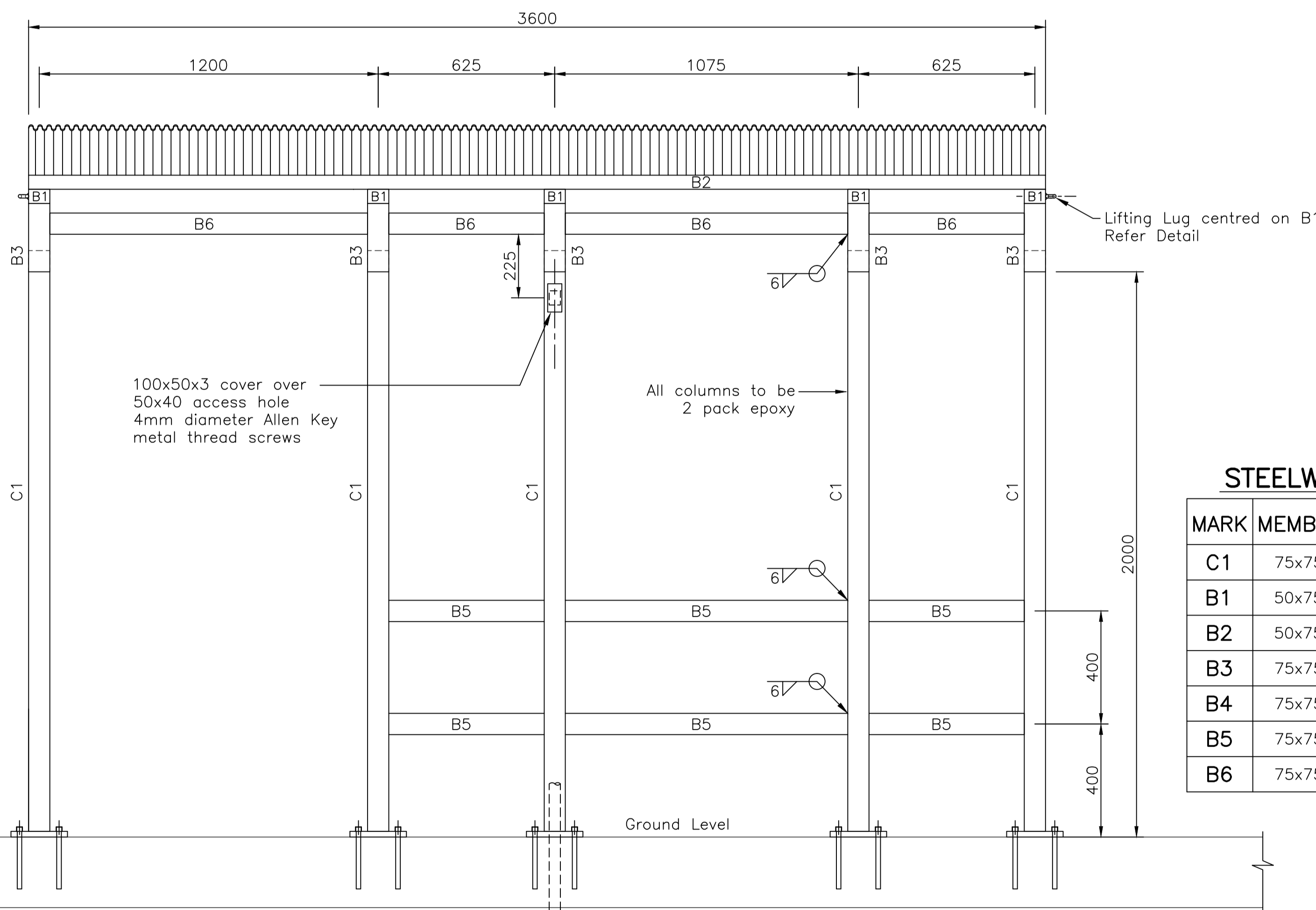
NOTES

GENERAL

1. All dimensions are in millimetres, unless noted otherwise.
2. Do not scale these drawings. Use figured dimensions.
3. The Contractor shall check, verify on site and be responsible for the correctness of all dimensions shown on the drawings and discrepancies shall be reported immediately to the Superintendent before any work proceeds.
4. These drawings shall be read in conjunction with all other drawings and specifications and with such other written instructions as may be issued during the course of construction. All discrepancies shall be reported immediately for decision before proceeding with the project.
5. All workmanship and materials shall be in accordance with the requirements of the Townsville City Council Design Specifications and Construction Standards, Standards Australia Codes and the by-laws and ordinances of the relevant authorities.
6. During construction any structure and neighbouring structures shall be maintained in a stable condition, ensuring no parts are overstressed.
7. It is the contractors responsibility to ensure that the project is carried out in accordance with the drawings and specifications.

SHELTER

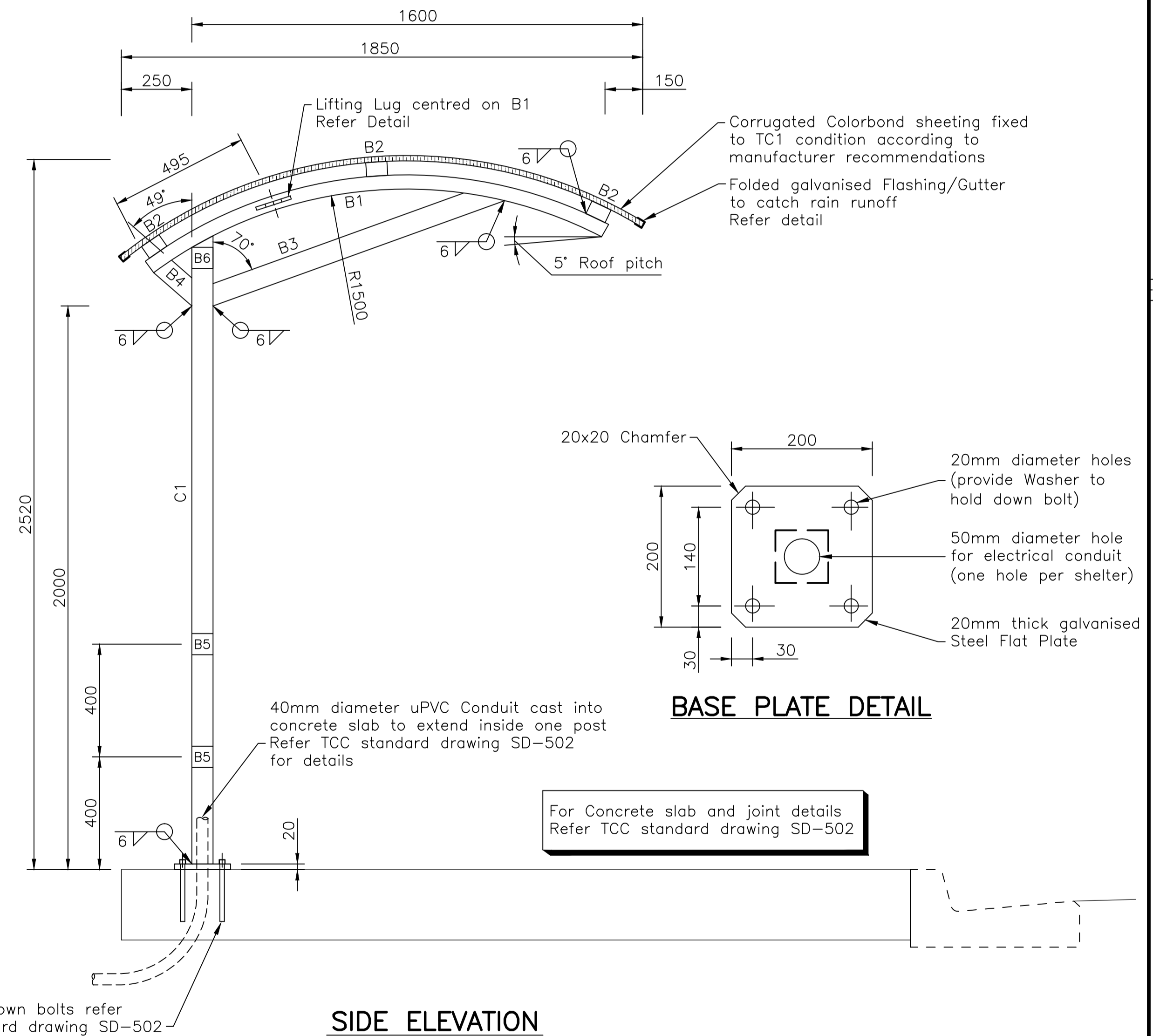
1. Shelter complete frame and structural members to be hot dip galvanised in accordance with AS4792 and AS4100. Shelters are blast cleaned, hot dip galvanised, whipped and painted (2 pack epoxy) in Heritage Colorbond colours:
Cottage Green
Red Oak
Classic Cream
2. Roof sheeting to be Corrugated Colorbond colour Cottage Green or similar.
3. All welds to be 6mm fillet welded.



FRONT ELEVATION

STEELWORK SCHEDULE

MARK	MEMBER SIZE	COLOUR
C1	75x75x5 SHS	Classic Cream
B1	50x75x3 RHS	Cottage Green
B2	50x75x3 RHS	Cottage Green
B3	75x75x5 SHS	Red Oak
B4	75x75x5 SHS	Red Oak
B5	75x75x5 SHS	Classic Cream
B6	75x75x5 SHS	Red Oak



SIDE ELEVATION

No.	DATE	DESCRIPTION	AP'D
E	23/1/2015	COLUMN SPACING ADJUSTED FOR DISABLED ACCESS	
D	23/02/2012	CONCRETE SLAB DETAILS AMENDED	
C	14/07/2011	NOTES, CHAMFER AMENDED, SLAB DETAILS NEW DRAWING	
B	25/02/2010	LIFTING LUG DETAILS, MINOR NOTE CHANGES	
A	13/09/2009	ORIGINAL ISSUE	
REVISIONS			

NOTES :
 REFERENCE DRAWINGS
 SD-502 - STANDARD BUS SHELTER SLAB AND FOOTING DETAILS SHEET 2 OF 2
 SD-515 - STANDARD BUS STOP URBAN LOCATION LAYOUT DETAILS-TYPE 1 AND 2
 SD-530 - STANDARD BUS STOP URBAN AND RURAL LOCATIONS LAYOUT DETAILS-TYPE 7 AND 8
 SD-535 - J POLE, TIMETABLE DISPLAY CASE, RUBBISH BIN AND SLEEVE INSTALLATION DETAILS
 SUPERSEDES COT DRAWING 10122

Full Size A1
 Not to scale

DRAWN: DESIGN OFFICE
 CHECKED: WJP
 Design Engineer Approved: Original signed by J EL-KHOURI
 Date: 23/1/2015
 Manager Approved: Original signed by J CLARKE
 Date: 27/1/2015



**STANDARD BUS SHELTER
FRAMING DETAILS**

SHEET 1 OF 2

**STANDARD
DRAWING**
 TRANSPORT
 SD-500 E