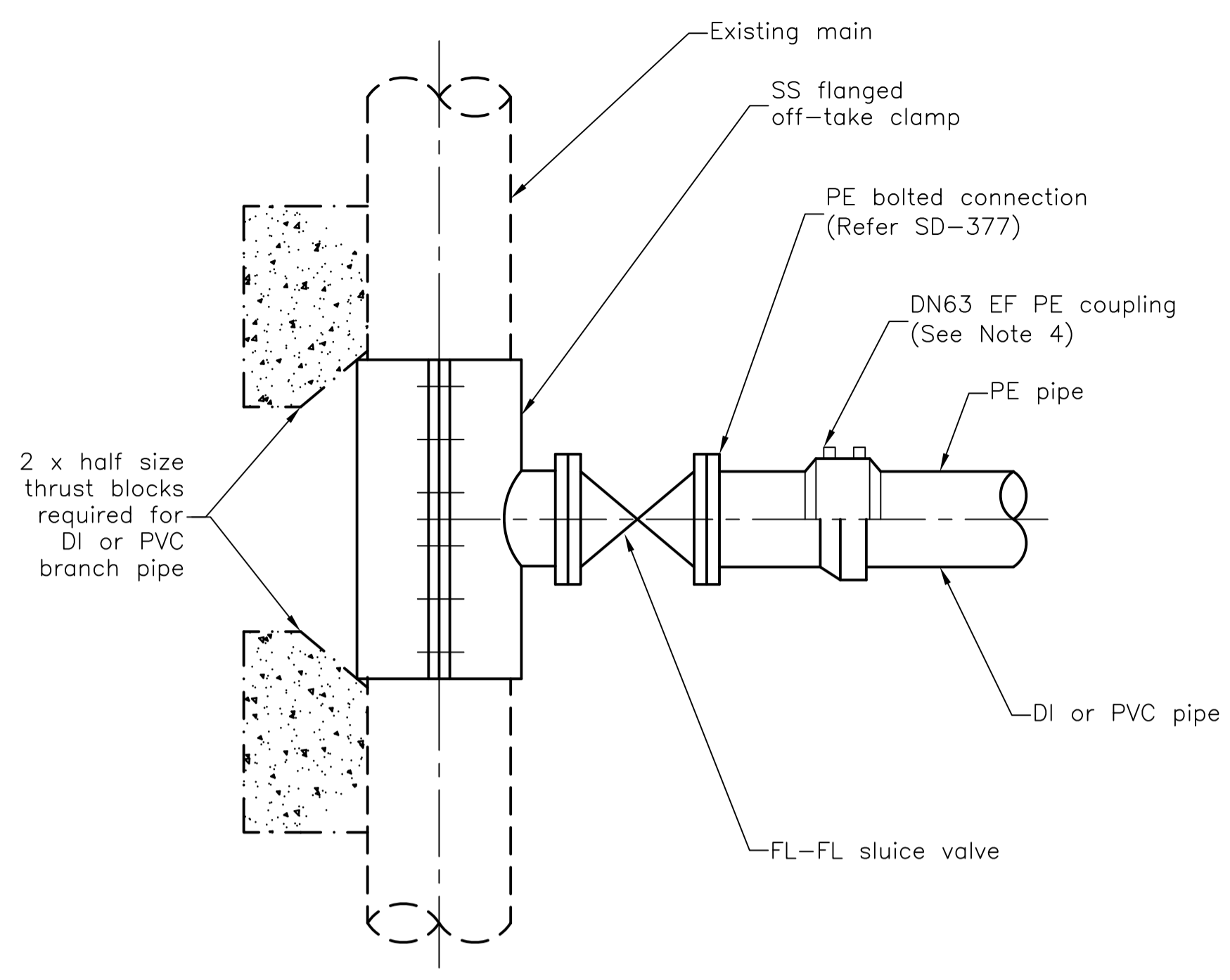


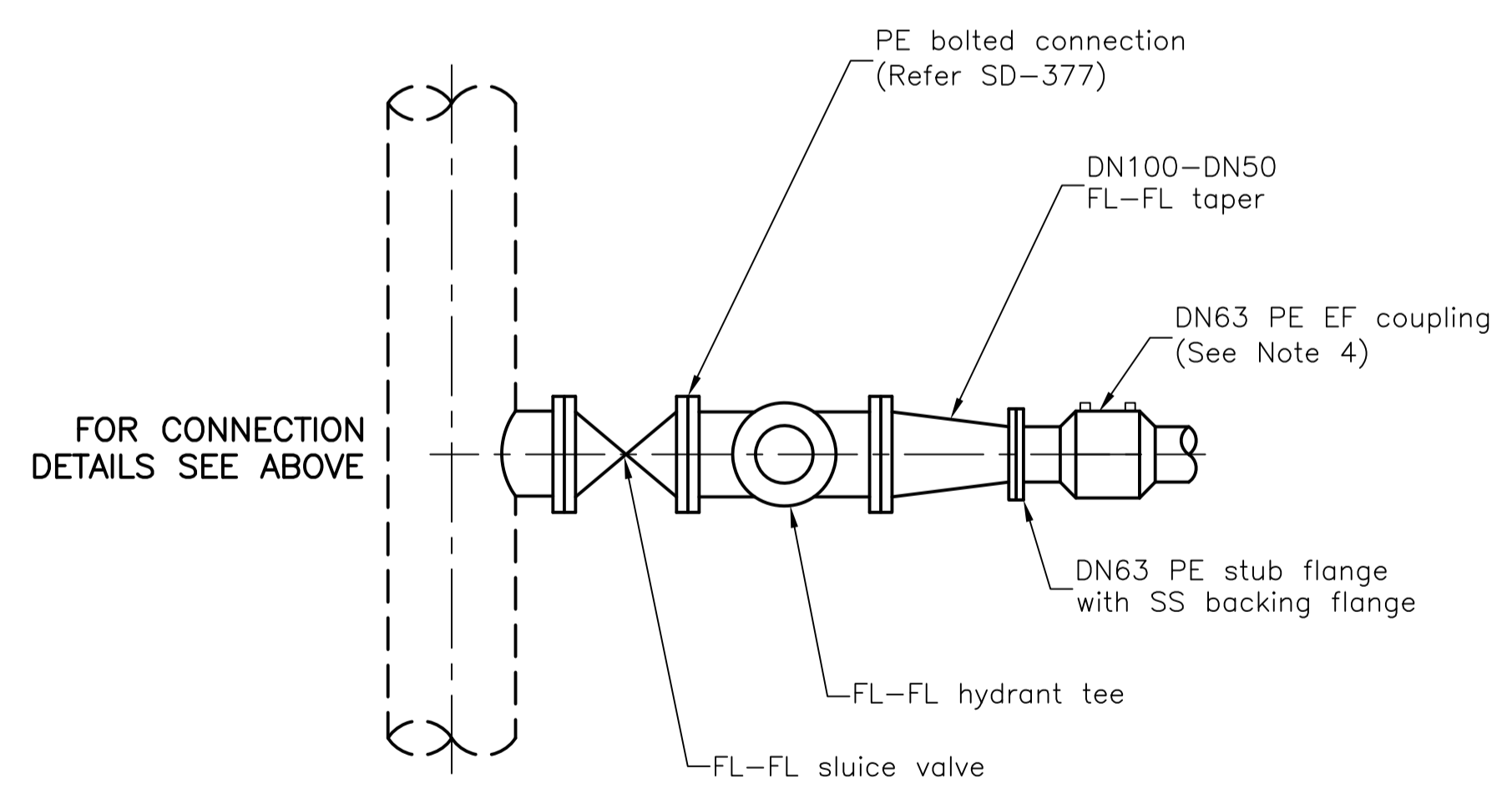
CUT-IN CONNECTION METHOD
(USING MECHANICAL COUPLINGS)



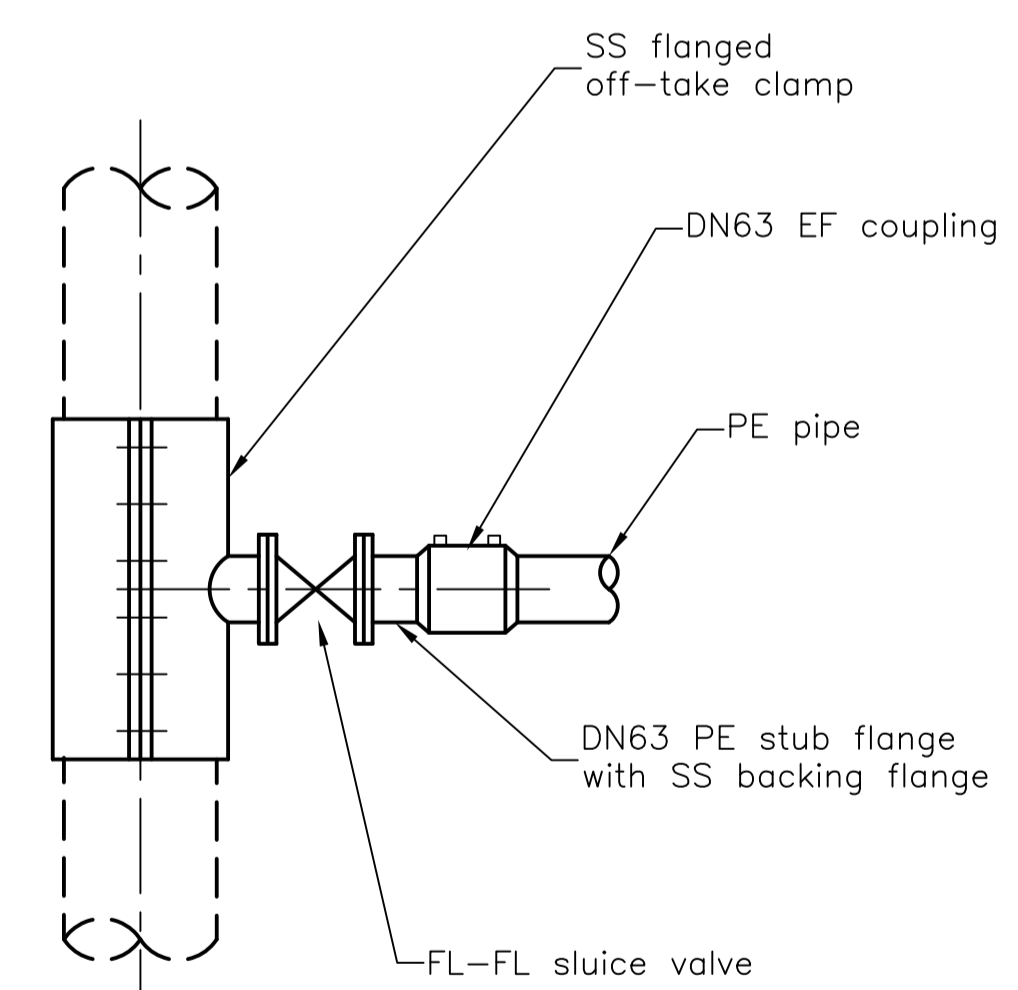
UNDER PRESSURE CONNECTION METHOD
(USING SS FULL WRAP FLANGED OFFTAKE)

NOTE: CONNECTION TO EXISTING WATER MAIN TO BE PERFORMED BY TOWNSVILLE WATER.

CONNECTION METHODS FOR OFFTAKE ≥ DN100 DI, PVC AND PE PIPE



WHERE VALVE & HYDRANT REQUIRED



WHERE NO VALVE & HYDRANT REQUIRED

CONNECTION METHOD FOR OD 63 PE PIPE

NOTES

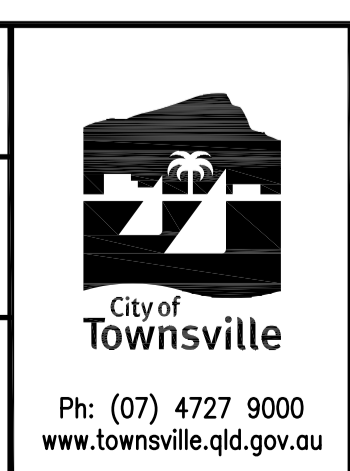
1. All dimensions in millimetres.
2. SS off-take clamp to be grade 316 SS and of full wrap configuration.
3. All bitumen coated pipe & fittings DI/CL to be sleeved or re-sleeved with polyethylene sleeving or petrolatum tape system.
4. PE electrofusion (EF) fittings to be class PN16.
5. Backing flanges for PE stub flanges to be manufactured from 316 SS. Bolts, nuts & washers to be SS grade 316.
6. Use gaskets in accordance with WSA 109 for all flanged connections.
7. This drawing provided for information only.
8. All PVC and PE pipes to be PN16.

No.	DATE	DESCRIPTION	AP'D
B		NOTES AND REFERENCES AMENDED	
A		ORIGINAL ISSUE	
REVISIONS			

NOTES : BASED ON FORMER WSA A DRAWING WAT-1105

Full Size A1
Not to Scale

DRAWN: DESIGN OFFICE
CHECKED: D Moseley
Design Engineer Approved: P Turl
Date: 24-07-2012
Manager Approved: M Harvey
Date: 24-07-2012



TYPICAL MAINS CONSTRUCTION CONNECTION TO EXISTING MAINS

STANDARD DRAWING
WATER
SD-320 B