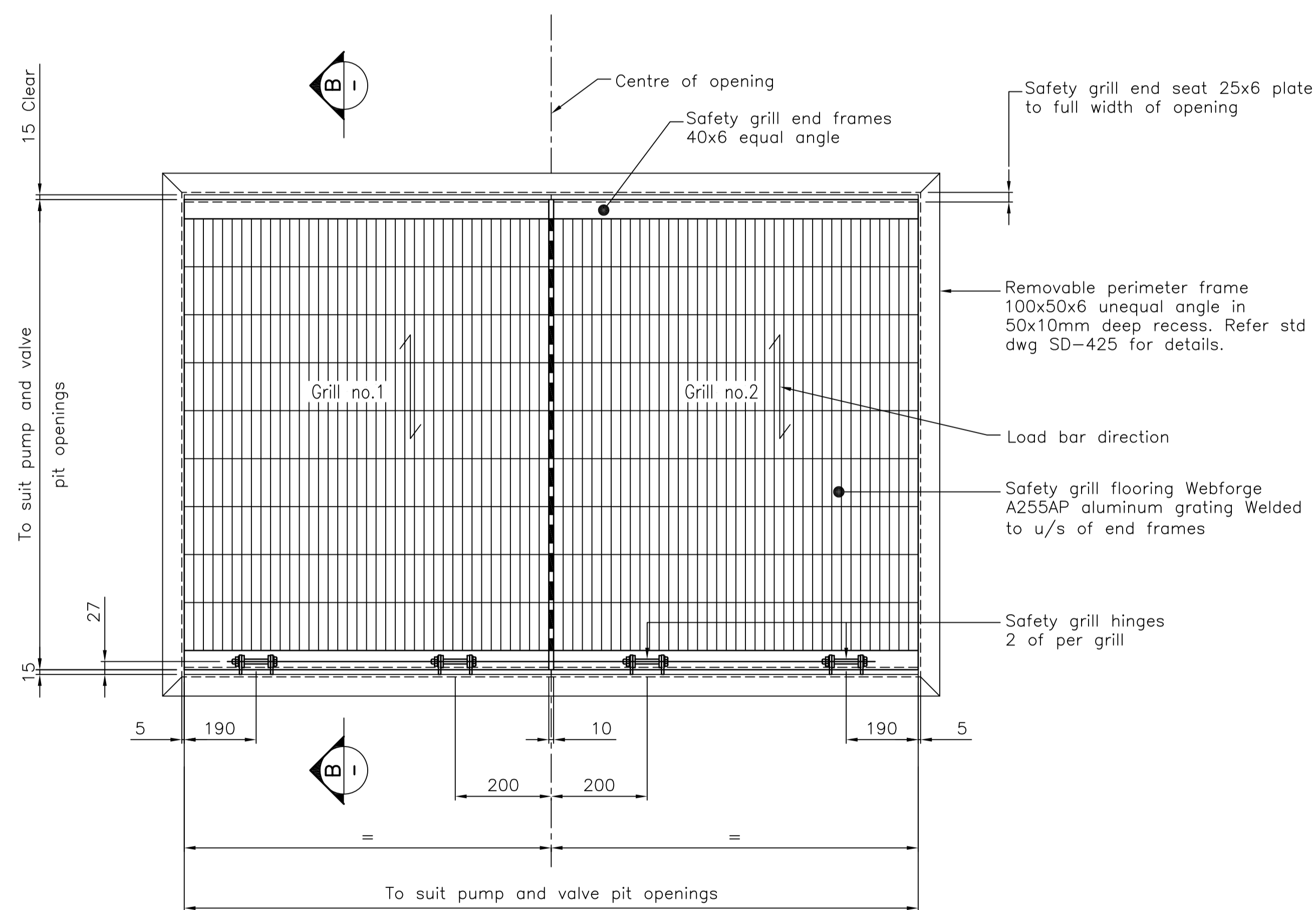
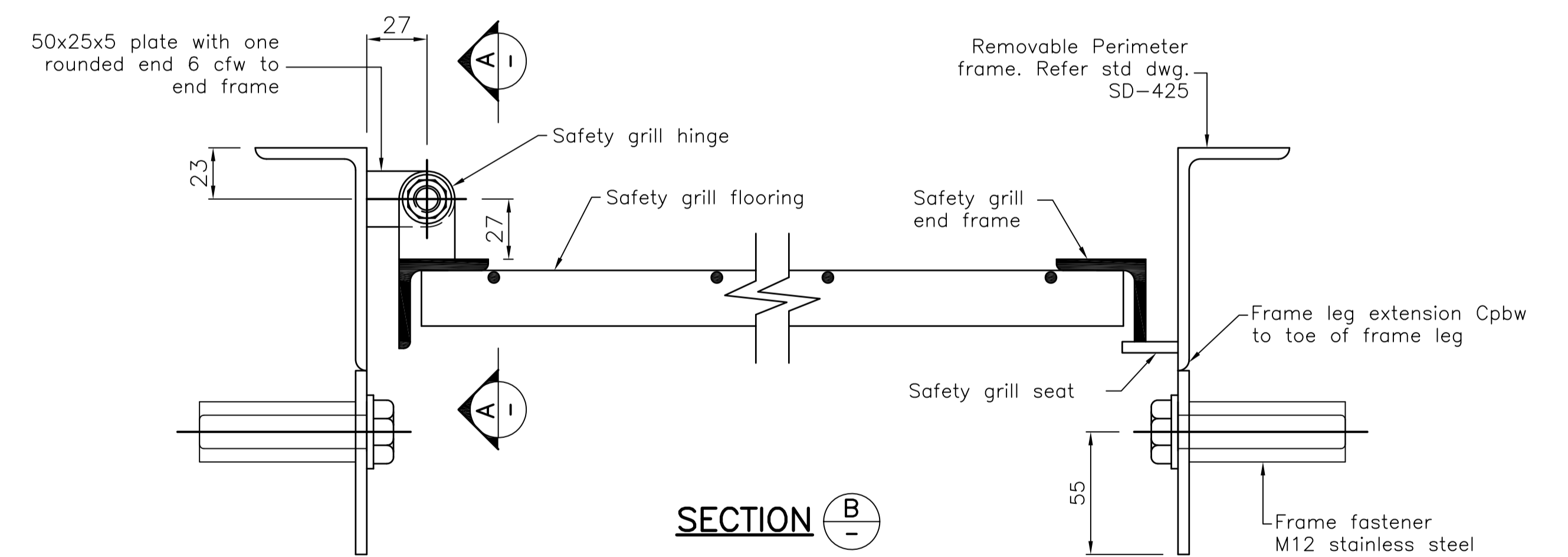


DETAIL 5 - CHAIN/CABLE HOOK

Note: Hook and associated level sensor
cable to be located so it does not
obstruct the lifting of sewage pumps.



PLAN
SAFETY GRILL AND FRAME



NOTES :

Full Size A1

DRAWN: DESIGN OFFICE

CHECKED: D. MOSELEY

Not to Scale

Design Engineer Approved: Original signed by P. TURL

Date: 26/07/2012

Manager Approved: Original signed by P. MENDIOLEA

Date: 26/07/2012



Ph: (07) 4727 9000
www.townsville.qld.gov.au

SEWERAGE PUMP STATIONS
SAFETY GRILL DETAILS

**STANDARD
DRAWING**
SEWERAGE

SD-430

B

No.	DATE	DESCRIPTION	AP'D
B		NOTES AMENDED	
A		ORIGINAL ISSUE	
REVISIONS			