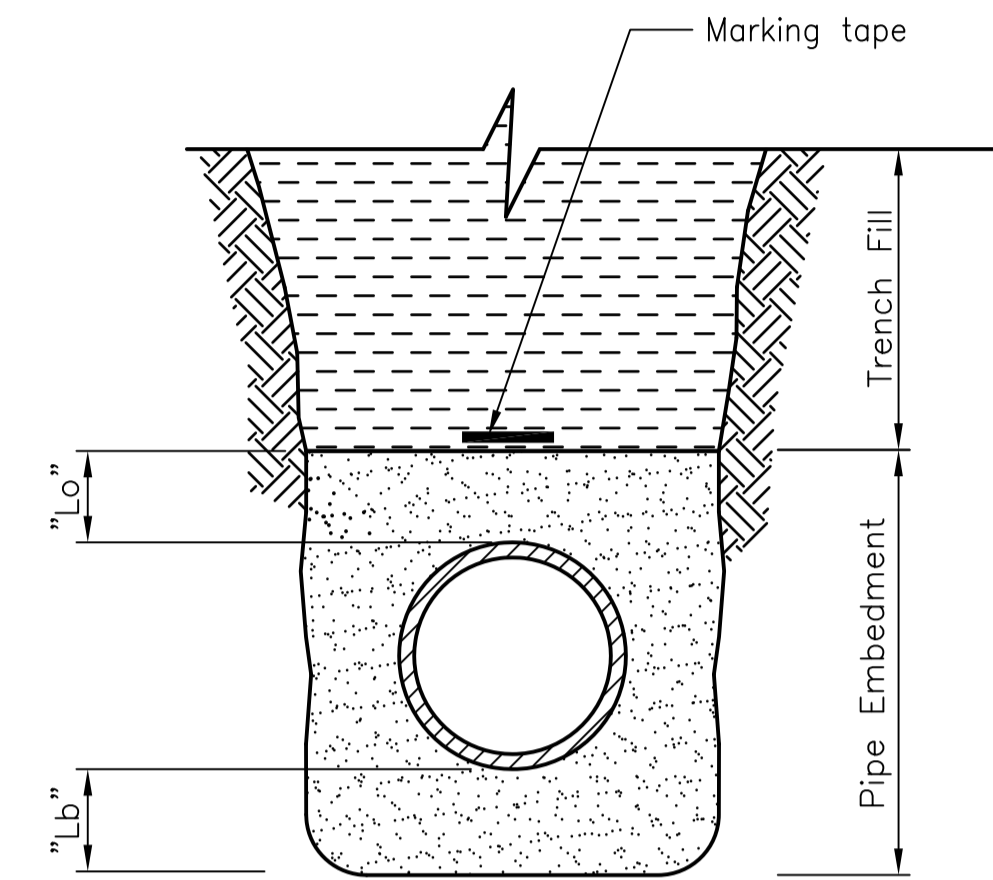


TYPE 'A' SUPPORT
TRENCH IN SAND STRATA



TYPE 'B' SUPPORT
TRENCH STRATA OTHER THAN SAND

| PIPE SIZE (DN) | BEDDING & OVERLAY DEPTH | |
|----------------|-------------------------|------|
| | 'Lb' (min) | 'Lo' |
| ≤150 | 75 | 100 |
| 200 - 450 | 100 | 150 |
| >450 - ≤900 | 150 | 150 |

NOTES

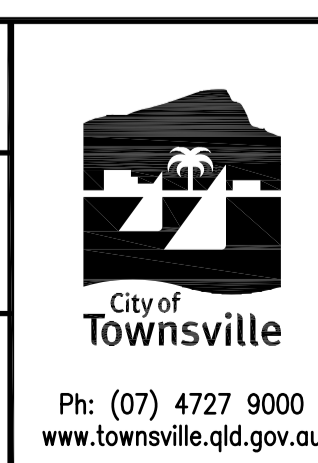
1. All dimensions are in millimetres unless noted otherwise.
2. This drawing to be read in conjunction with SD-325.
3. Embedment, trench fill & compaction to meet requirements of WSA-03 Part 3.
4. Where trench floor consists of materials marked with * on SD-370 obtain geotechnical advice.
5. Embedment material to be in accordance with design drawings, job specification and AS2566.2, Tables G1, G2 and G3.

| No. | DATE | DESCRIPTION | AP'D |
|-----------|------|--------------------|------|
| B | | REFERENCES AMENDED | |
| A | | ORIGINAL ISSUE | |
| REVISIONS | | | |

NOTES : BASED ON FORMER WSA A DRAWING WAT-1202

Full Size A1
Not to Scale

DRAWN: DESIGN OFFICE
CHECKED: D Moseley
Design Engineer Approved: P Turl
Date: 24-07-2012
Manager Approved: M Harvey
Date: 24-07-2012



**STANDARD EMBEDMENT
ALL PIPE TYPES**

**STANDARD
DRAWING**
WATER
SD-330 B