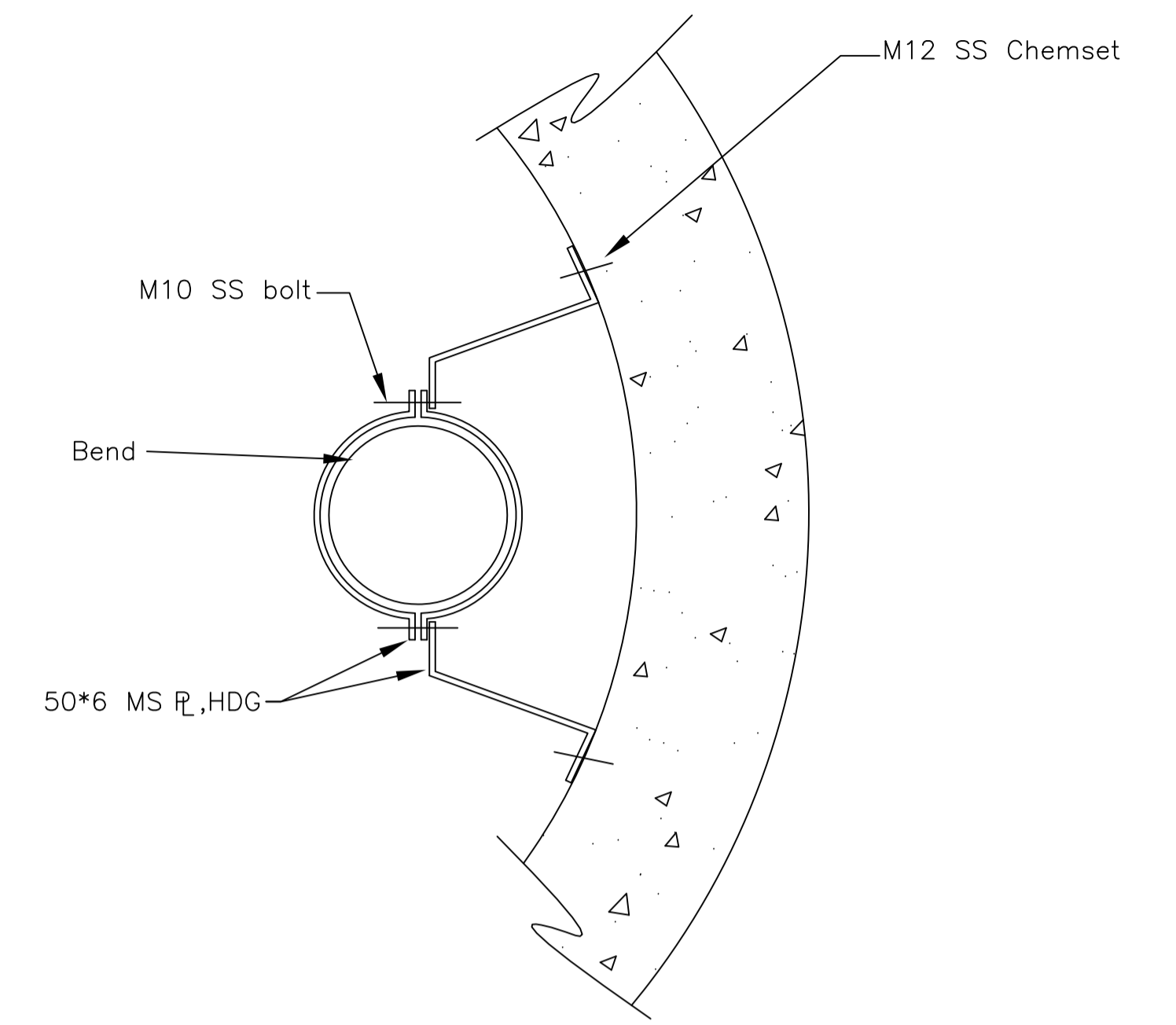
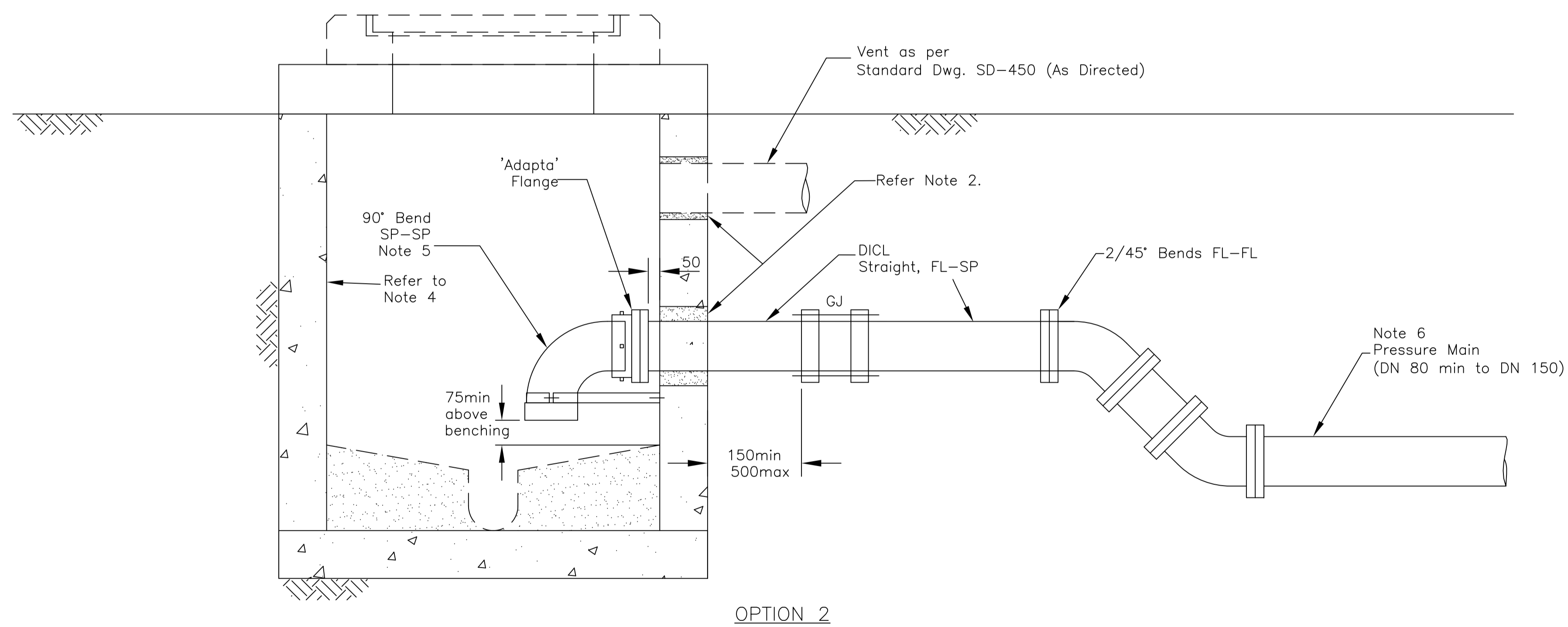


OPTION 1 (PREFERRED)



DETAIL
PIPE SUPPORT BRACKET



OPTION 2

TYPICAL ELEVATION

NOTES

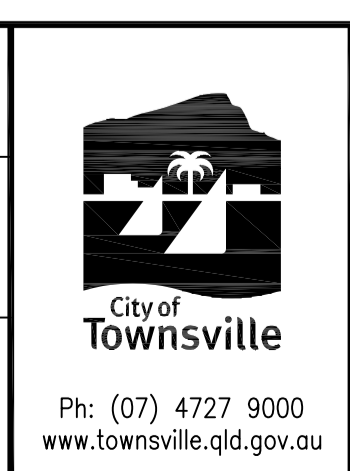
1. All dimensions are in millimetres unless noted otherwise.
2. Core into maintenance hole by Townsville Water only. Seal between MH and pipe with epoxy grout (or approved equivalent)
3. Maintenance hole may require re-benching to suit.
4. Complete internal surfaces of maintenance hole to be painted with Epigen 1311 (or equivalent epoxy coating).
5. Turn Bend to face D/S Sewer.
6. For pressure main larger than DN150, special design is required, consult Townsville Water.

No.	DATE	DESCRIPTION	AP'D
B		NOTES AMENDED	
A		ORIGINAL ISSUE	
REVISIONS			

NOTES : SUPERSEDES
CC030-01

Full Size A1
Not to Scale

DRAWN: DESIGN OFFICE
CHECKED: D. MOSELEY
Design Engineer Approved: Original signed by P. TURL
Date: 26/07/2012
Manager Approved: Original signed by P. MENDIOLEA
Date: 26/07/2012



PRESSURE MAIN
DISCHARGE TO MAINTENANCE HOLE

STANDARD
DRAWING
SEWERAGE
SD-440 B