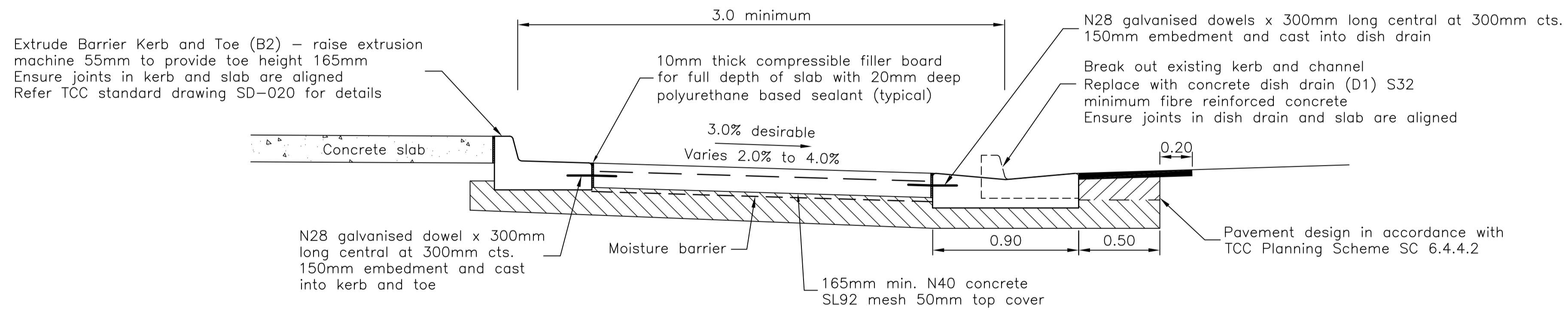
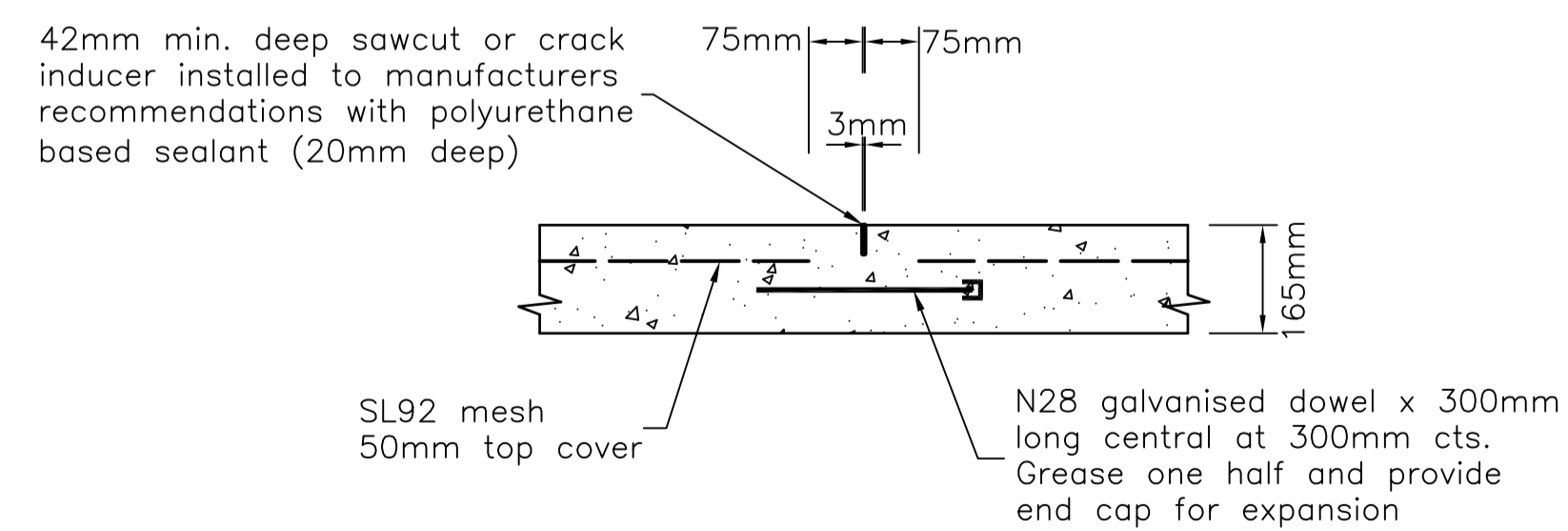


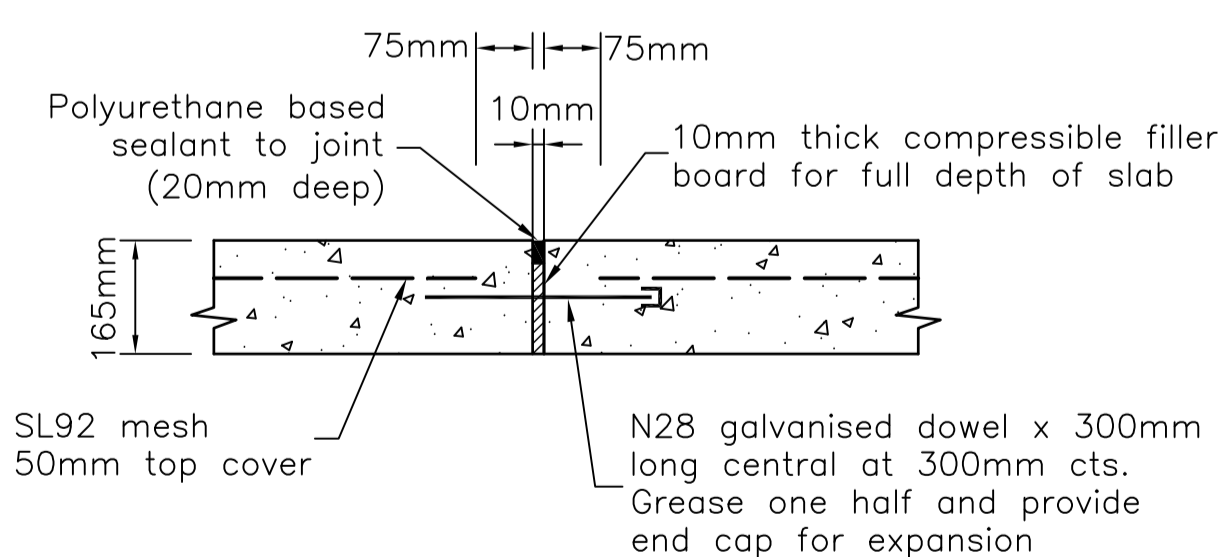
**INDENTED BUS STOP – DISH DRAIN**



**SECTION A**



**CONTRACTION JOINT – CJ**  
(Max. 3.0m spacing)



**EXPANSION JOINT – EJ**  
(Max. 12.0m spacing)

**NOTES**

**GENERAL**

- All dimensions are in metres, unless otherwise noted.
- Do not scale these drawings. Use figured dimensions.
- The Contractor shall check, verify on site and be responsible for the correctness of all dimensions shown on the drawings and discrepancies shall be reported immediately to the Superintendent before any work proceeds.
- These drawings shall be read in conjunction with all other drawings and specifications and with such other written instructions as may be issued during the course of construction. All discrepancies shall be reported immediately for decision before proceeding with the project.
- All workmanship and materials shall be in accordance with the requirements of the Townsville City Council Aus-spec's, Standards Australia Codes and the by-laws and ordinances of the relevant authorities.
- During construction, any structure and neighbouring structures shall be maintained in a stable condition, ensuring no parts are overstressed.
- It is the contractors responsibility to ensure that the project is carried out in accordance with the drawings and specifications.

**BUS SETDOWN**

- Infrastructure at a bus stop to be located outside the clear zone.
- Existing shelters to be relocated if necessary, refer to job drawings for details.

**ASSOCIATED DOCUMENTATION**

- This drawing has been compiled using the following documentation:
  - Transport and Main Roads 'Road Planning and Design Manual'
  - Austrroads
  - Standards Australia
  - Manual of Uniform Traffic Control Devices

**PAVEMENT MARKING LEGEND**

Line Type	Width	Paint/Gap Ratio	Colour
YZL	150mm	600/900mm	Yellow

Pavement Marking and signage to be installed in accordance with the Manual of Uniform Traffic Control Devices (MUTCD) unless otherwise noted.

No.	DATE	DESCRIPTION	AP'D
A	11/06/2014	ORIGINAL ISSUE	
REVISIONS			

**NOTES :**

**REFERENCE DRAWINGS**

SD-060 Traffic Sign Installation  
SD-500 Standard Bus Shelter Framing Details  
SD-502 Standard Bus Shelter Slab and Footing Details  
SD-505 Regional Bus Shelter Framing Details Sheet 1 of 2  
SD-510 Regional Bus Shelter Construction Details Sheet 2 of 2  
SD-515 Standard Bus Stop Layout Details Urban Location  
SD-520 Regional Bus Stop Layout Details Urban Location  
SD-525 Basic Bus Stop Layout Details Urban Location  
SD-535 J Pole, Timetable Display Case, Rubbish Bin and Sleeve Installation Details

Full Size A1

Not to scale

DRAWN: DESIGN OFFICE

CHECKED: WJP

Design Engineer Approved: Original signed by J EL-KHOURI

Date: 11/6/2014

Manager Approved: Original signed by J CLARKE

Date: 12/6/2014



**BUS SETDOWN  
PARKING AND INDENTED DETAILS  
URBAN LOCATIONS**

**STANDARD  
DRAWING**

TRANSPORT

SD-550 | A