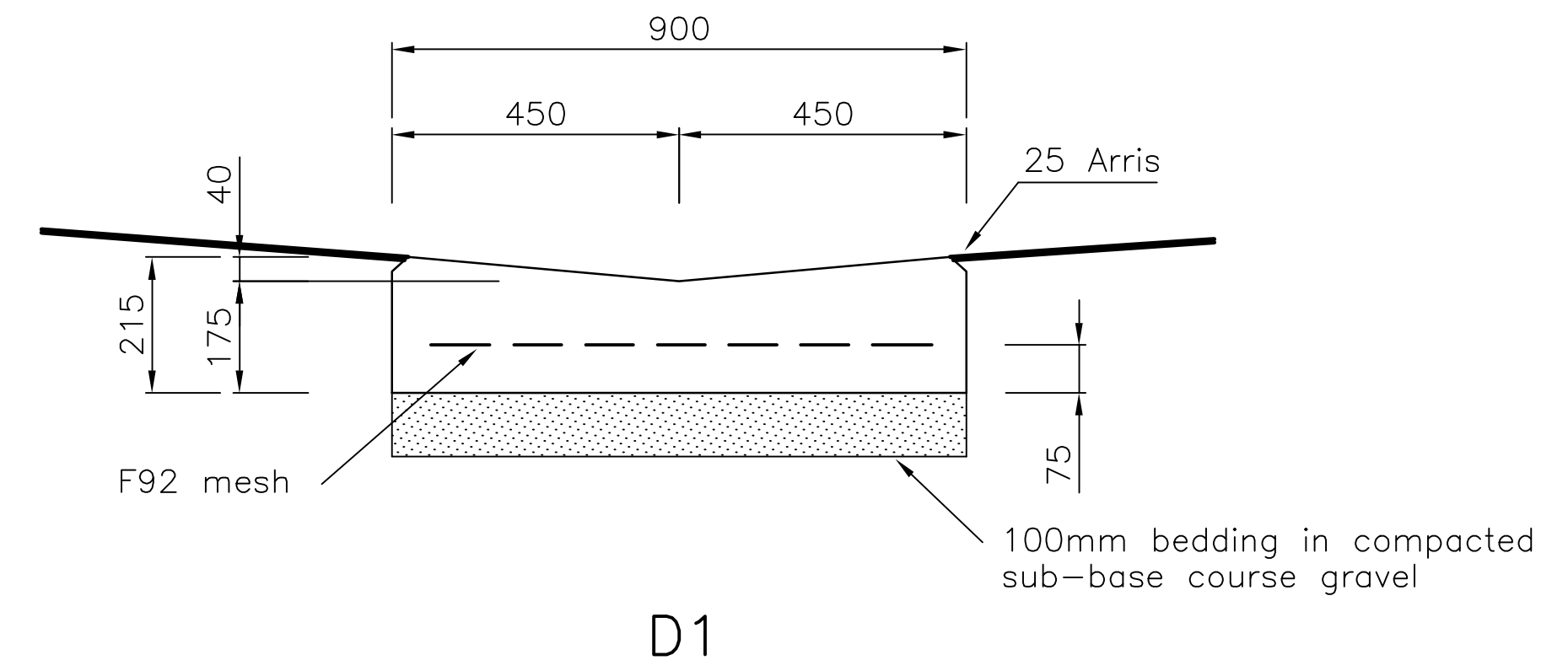
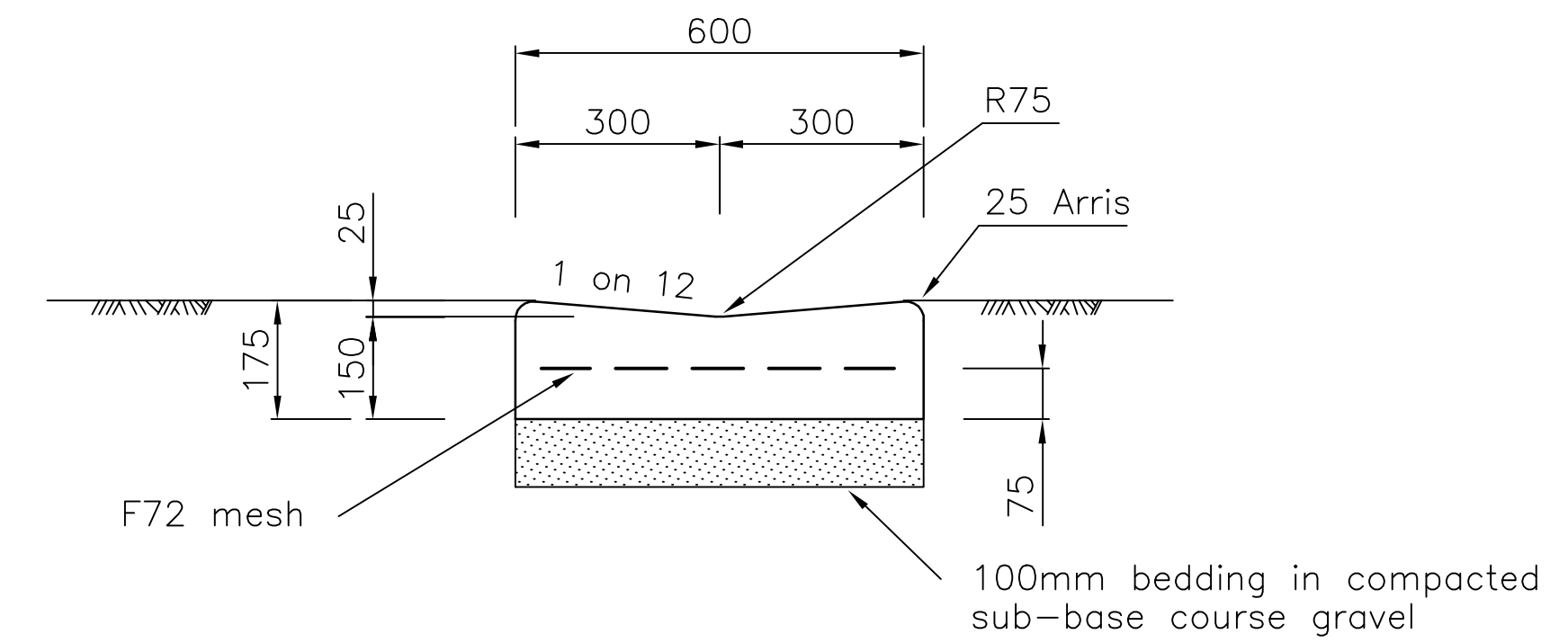


DISH DRAIN TO KERB AND CHANNEL
JOINT TO KERB AND TOE SIMILAR



D1



D2

ALTERNATIVE DISH DRAIN

Reinforcing may be omitted when dish drain is not subjected to traffic loads

NOTES

1. All dimensions are in millimetres unless noted otherwise.
2. Concrete shall be Grade N25 (25 MPa).
3. Refer to job plans for Kerb levels and grades.
4. Concrete finish to be Steel Float.

NOTES : Not to Scale
Supersedes TR9



CITY OF THURINGOWA

86 Thuringowa Drive, Thuringowa Central, QLD. 4817

Phone: 07 4773 8411 Fax: 07 4773 8600

DRAWN: NRN

Engineer Approved: Original Signed by B.Sue Date: 4/2000

CHECKED: WJP

D.E.S. Approved: Original Signed by B.Bailey Date: 5/2000

CONCRETE DISH DRAINS

**STANDARD
DRAWING
ROADWORKS**

10075

No.	DATE	DESCRIPTION	AP'D
A	4/2/2000	ORIGINAL ISSUE	
REVISIONS			

A