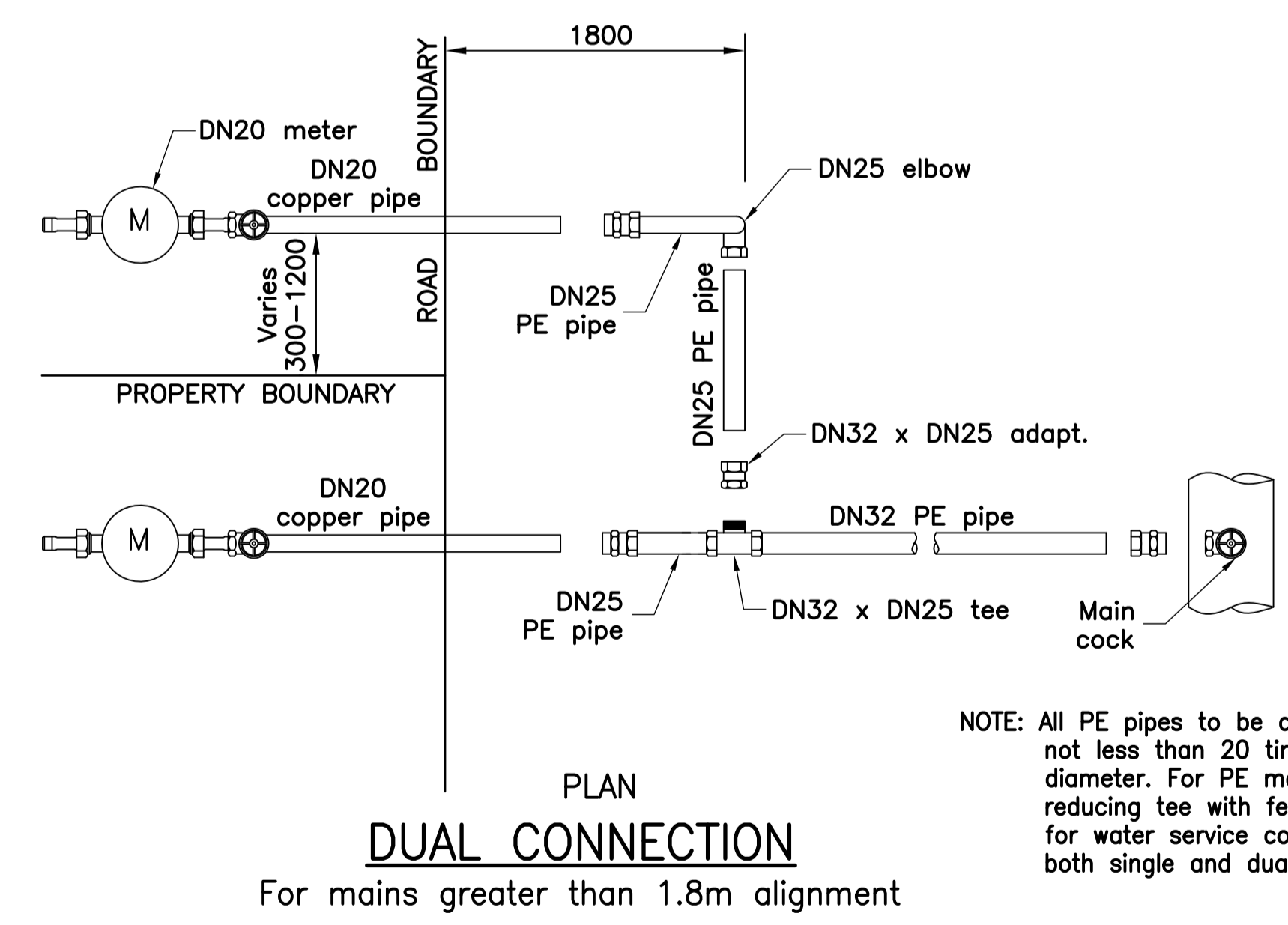


TYPICAL LAYOUT PLAN



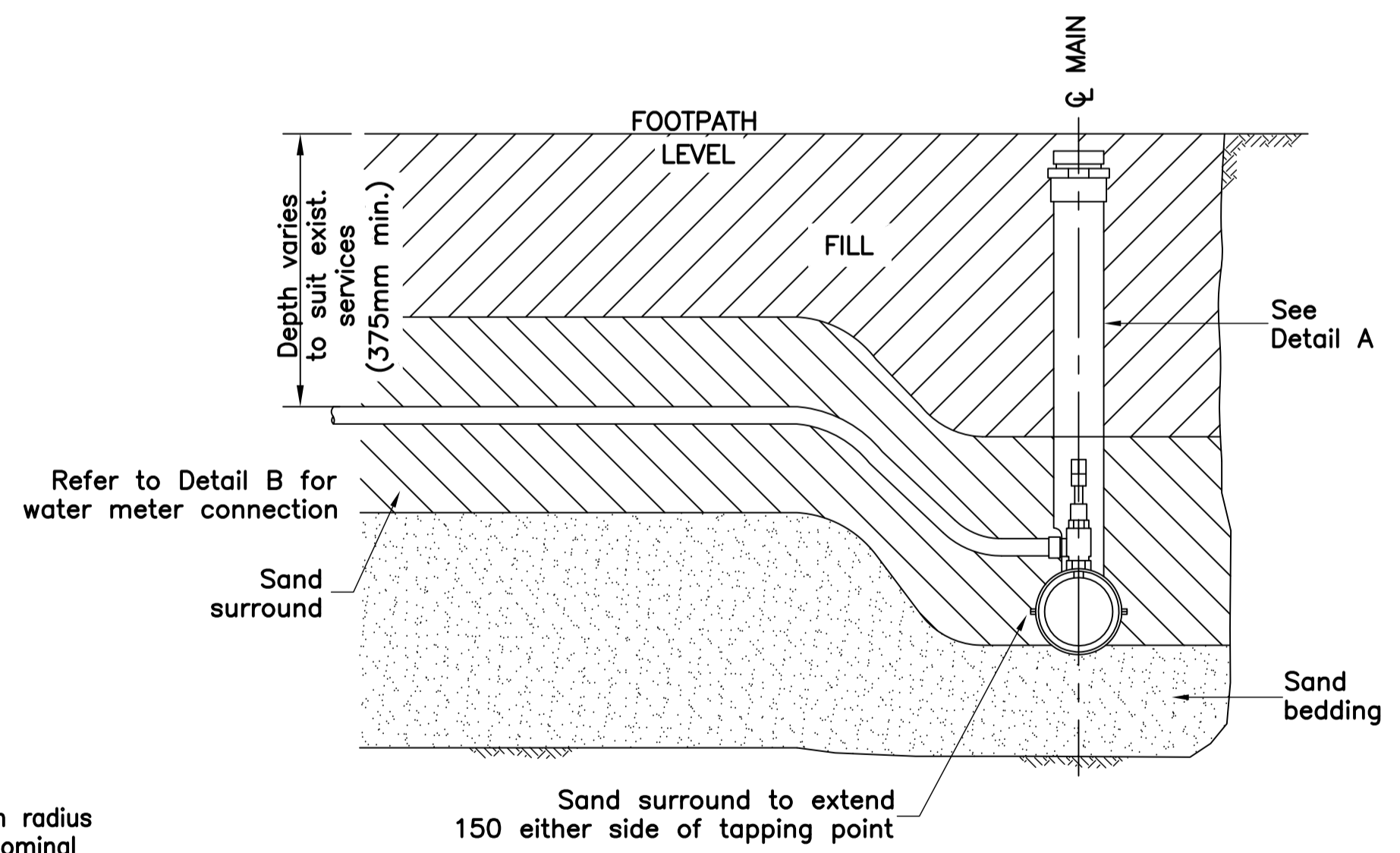
TYPICAL LAYOUT FOR MAINS VALVES & HYDRANTS



PLAN DUAL CONNECTION

For mains greater than 1.8m alignment

NOTE: All PE pipes to be curved with radius not less than 20 times the nominal diameter. For PE mains, use reducing tee with female BSP branch for water service connections for both single and dual connections.



SINGLE CONNECTION & TRENCH DETAILS

- LEGEND**
- DN200
 - - - DN150
 - DN100
 - - - DN32 PE min. to DN63 max.
 - Fire Hydrant
 - ✕ Stop Valve

NOTES:

1. All dimensions are in millimetres unless noted otherwise.
2. All water mains to be 1.8m alignment.
3. Each street must contain a minimum DN100 main service with fire hydrants installed at intervals of between 50m and 80m.
4. In major thoroughfares (ie 25m wider and above) a minimum DN100 main service with fire hydrants is required both sides of the road.
5. Fire hydrants to be extended with hydrant riser where necessary to maintain a depth to hydrant not more than 300 from the ground level.
6. Hydrants to be installed on lot boundaries wherever possible or as directed. Hydrants to be on lot boundaries that do not have Ergon/NBN pits where possible.
7. On major feed mains DN150 and larger stop valves to be installed at street intersections at approx. 200m intervals.
8. Stop valves to be installed opposite truncations at intersection or as shown to all main intersections. Maximum number of 4 valves to be closed to isolate any one section and provide backfeed.
9. In long streets water cross connections are required every 15th property. Cross connections to be DN100.
10. In long streets stop valves are required approx. every 200m.
11. All cross connections in crescents to be DN100 main.
12. Tapping bands shall be of the double collar or other approved type but shall specifically not include single collar with U-bolt types.
13. All water services are to be installed by Townsville Water, including the tapping of the water main.
14. Water services are not to be connected to mains DN250 and larger.
15. PVC and PE pipes to be minimum class PN16.

No.	DATE	DESCRIPTION	AP'D
B	6/3/12	WATER MAIN AND HYDRANT LOCATIONS AMENDED	
A		ORIGINAL ISSUE	
REVISIONS			

NOTES : Supersedes 13418

Full Size A1
Not to Scale

DRAWN: DESIGN OFFICE
CHECKED: D Moseley
Design Engineer Approved: P Turl
Date: 24-07-2012
Manager Approved: M Harvey
Date: 24-07-2012



STREET POSITIONING OF MAINS, VALVES, HYDRANTS AND DOMESTIC WATER SERVICE CONNECTIONS

STANDARD DRAWING WATER
SD-305 B