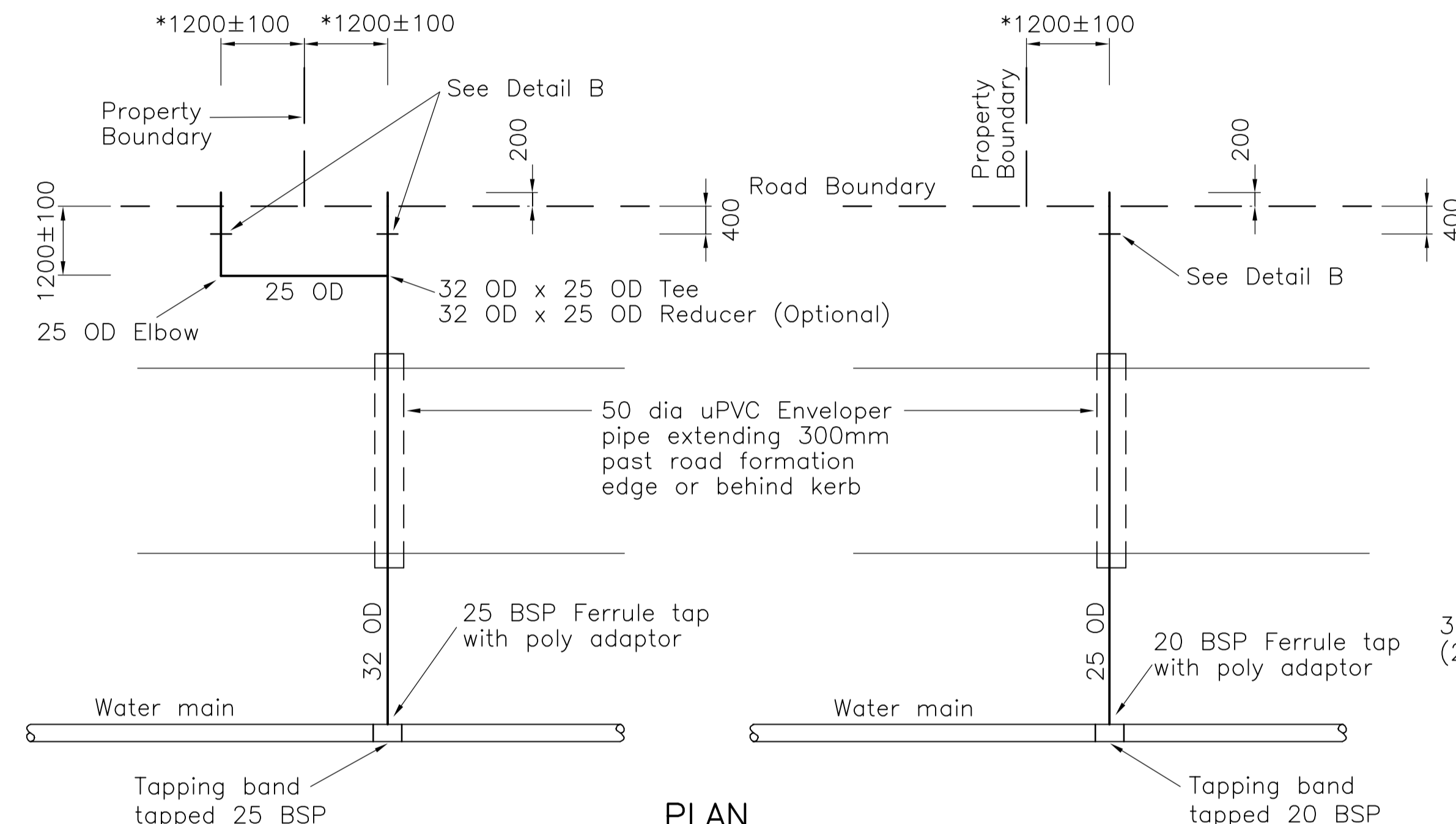
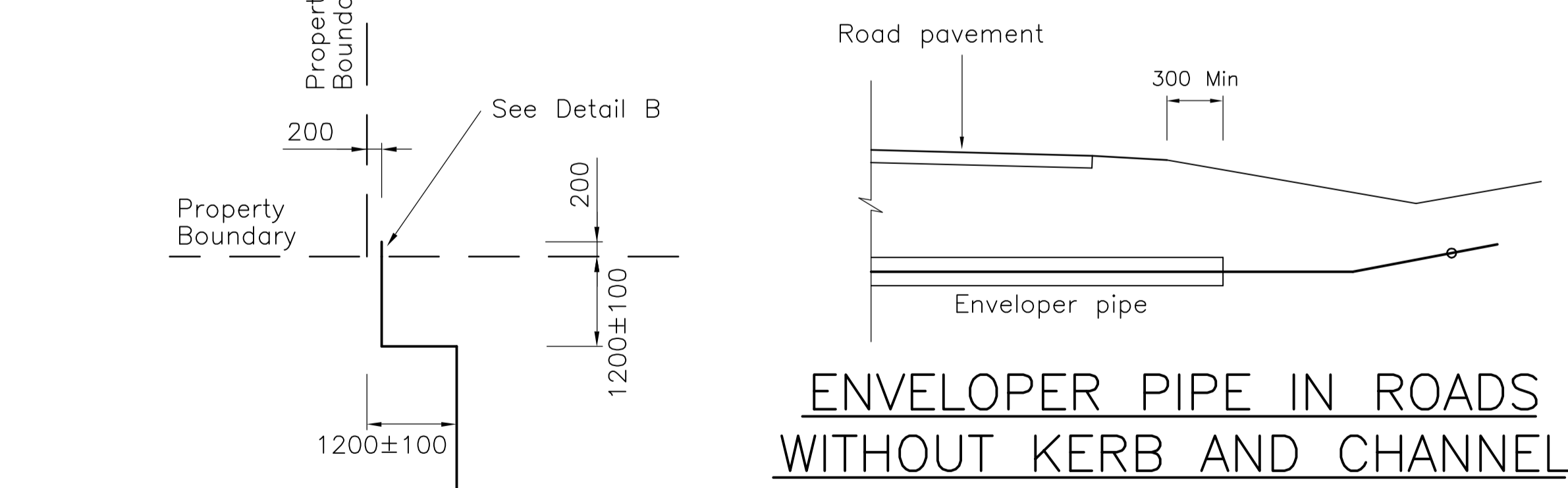


DOUBLE SINGLE
TYPICAL SHORT SERVICES



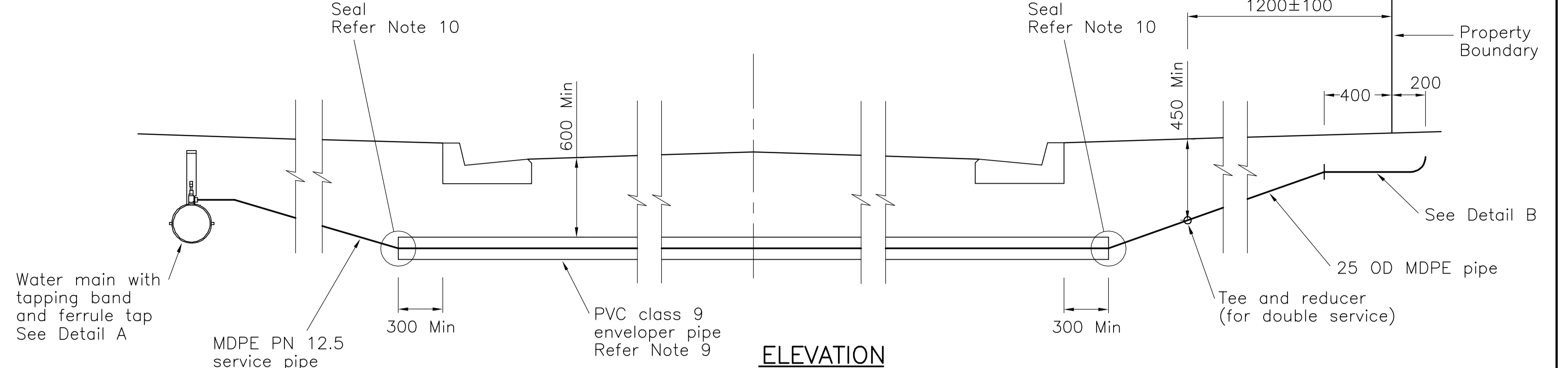
DOUBLE SINGLE
TYPICAL LONG SERVICES



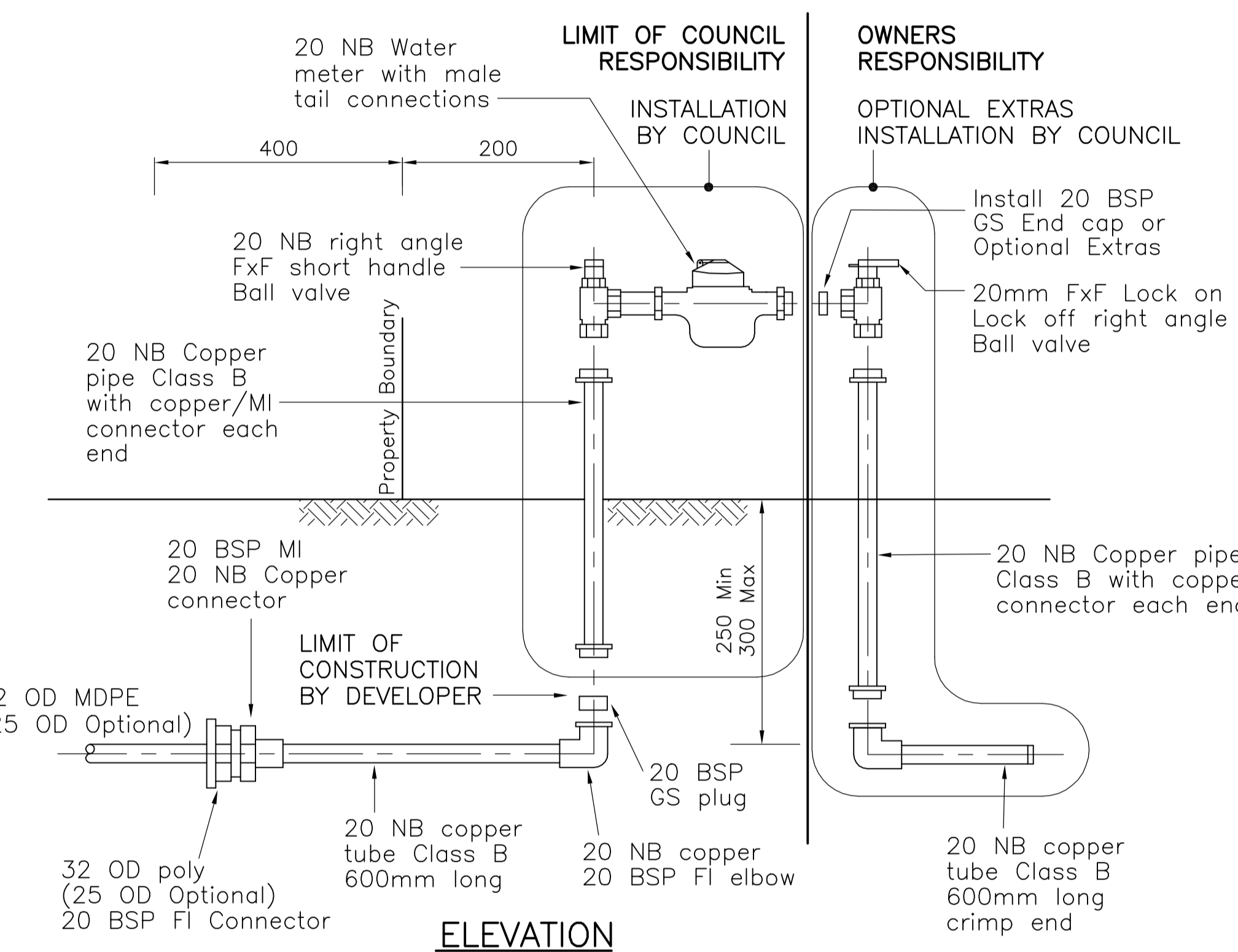
ENVELOPER PIPE IN ROADS WITHOUT KERB AND CHANNEL

ALTERNATIVE METER LOCATION

* (Refer Note 5)



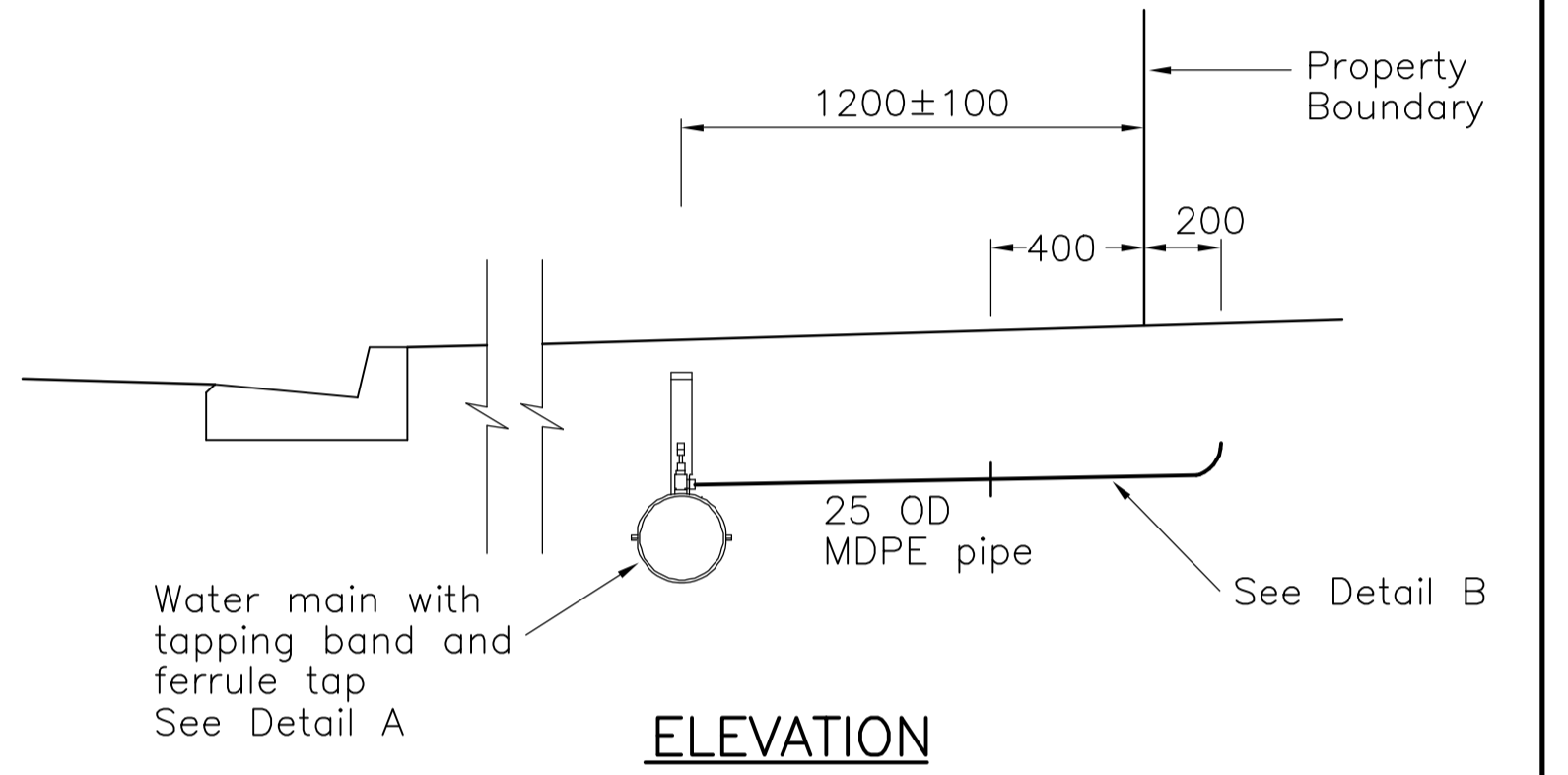
ELEVATION
TYPICAL LONG SERVICE



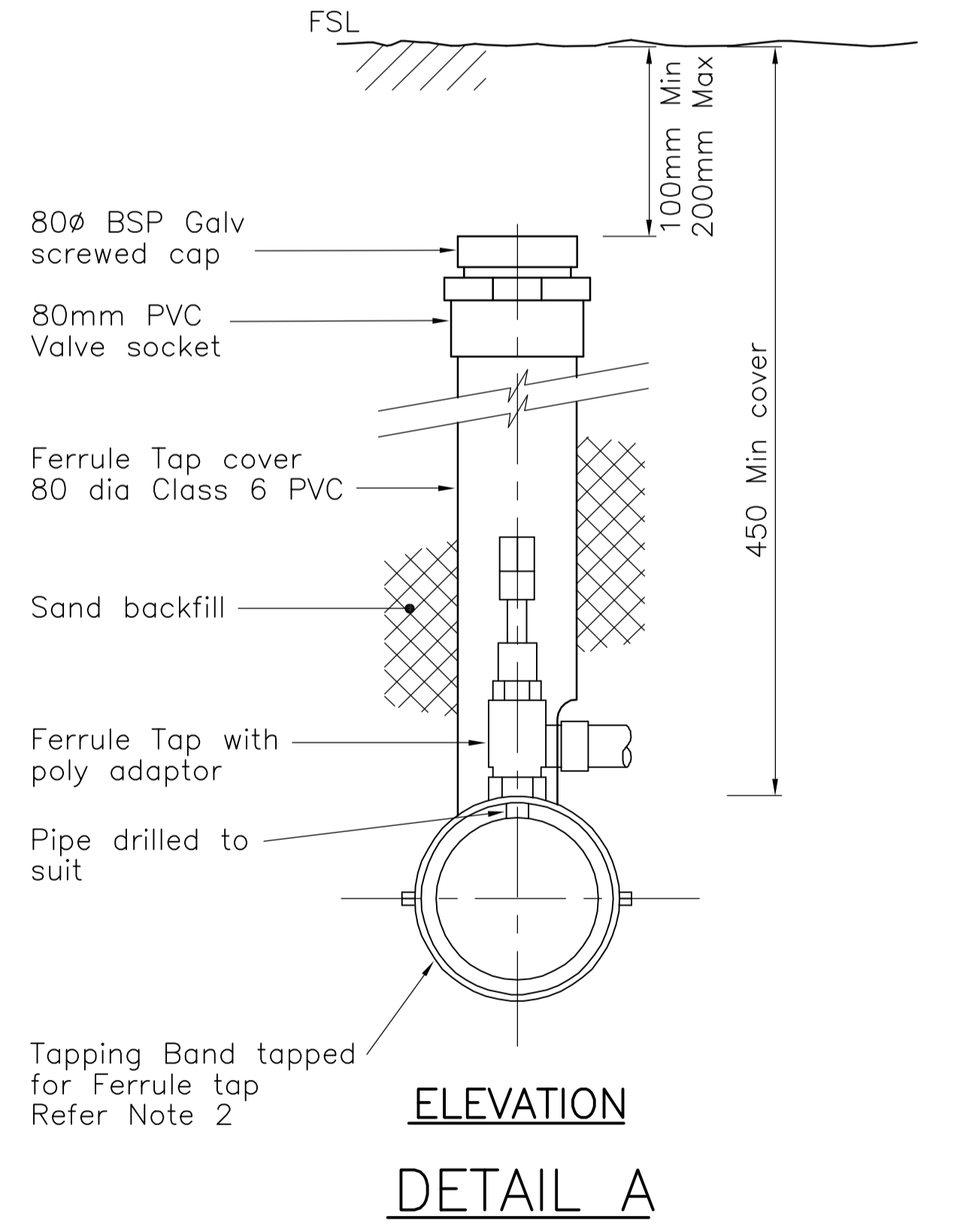
ELEVATION
DETAIL B

NOTES

- All dimensions are in millimetres unless noted otherwise.
- Tapping bands shall be of the double collar or other approved type but shall specifically not include single collar with U-bolt types.
- Double services – Serving two adjacent allotments.
Single service – serving one allotment only.
Long service – Water main on opposite side of street to allotment.
Short service – Water main on same side of street to allotment.
- Cover for service pipes: Under roadway: 600mm min – 700 max.
Under footpath: 450mm min – 550 max.
- The alternative meter location 200mm from the side property boundary may be adopted with the approval of the Director of Infrastructure Services. For property frontages greater than 50m, the service connection may be located to suit the owner subject to the provision of a meter marker post. Refer Drawing 10320.
- Maximum trench width 300mm.
- Polythene pipes shall be MDPE PN 12.5 to AS 4130.
- All service pipes shall be jointed with matching fittings complying with AS 1460.1.
- Provide 50mm diameter class 9 PVC enveloper pipe to all services under roadways. Enveloper pipe to extend 300mm beyond back of kerb or beyond road shoulder.
- Annular space between enveloper and service pipe to be sealed with removable tape (Denso 600 or equal) extending minimum 100mm onto each pipe, in double layer.



ELEVATION
TYPICAL SHORT SERVICE



ELEVATION
DETAIL A

No.	DATE	DESCRIPTION	AP'D
F	22/2/2005	ADD LIMIT OF COUNCIL RESPONSIBILITY, OWNERS RESPONSIBILITY	NRM
E	3/6/2002	32 OD, 25 OD to optional, 20 BSP FI optional	NRM
D	25/10/2001	CHANGES TO ELEVATION DETAIL B, ADD OPTIONAL EXTRAS	NRM
C	26/4/2001	CHANGE FERRULE COCK TEXT TYPICAL SHORT SERVICES	NRN
B	29/3/2000	32 OD CHANGED TO 25 OD TEE, DOUBLE SHORT SERVICE	NRN
A	1/7/99	ORIGINAL ISSUE	
REVISIONS			

NOTES : Not to Scale
Supersedes TW1G and 10026A

THE CITY of THURINGOWA

86 Thuringowa Drive
Thuringowa Central, QLD, 4817
Phone : (07) 4773 8411
Fax : (07) 4773 8571
Email : council@thuringowa.qld.gov.au
Web : www.thuringowa.qld.gov.au

DRAWN: NRM	Engineer Approved: Original Signed by C.Phillips	Date: 5/4/2005
CHECKED: T Healey	Director Approved: Original Signed by B.Bailey	Date: 5/4/2005

DOMESTIC WATER SERVICE CONNECTIONS FOR 20mm DIAMETER WATER METERS

STANDARD DRAWING WATER

10330

A	B	C	D	E	F
---	---	---	---	---	---