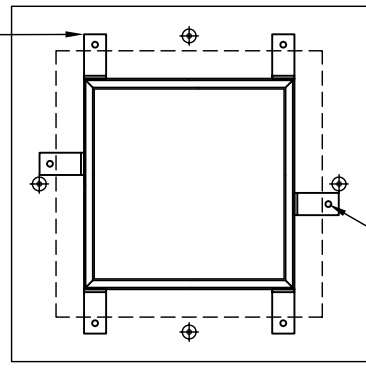
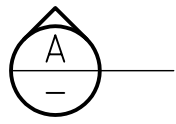
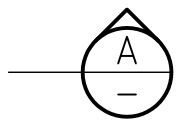


150x100x10 UA
75 wide (6 reqd)

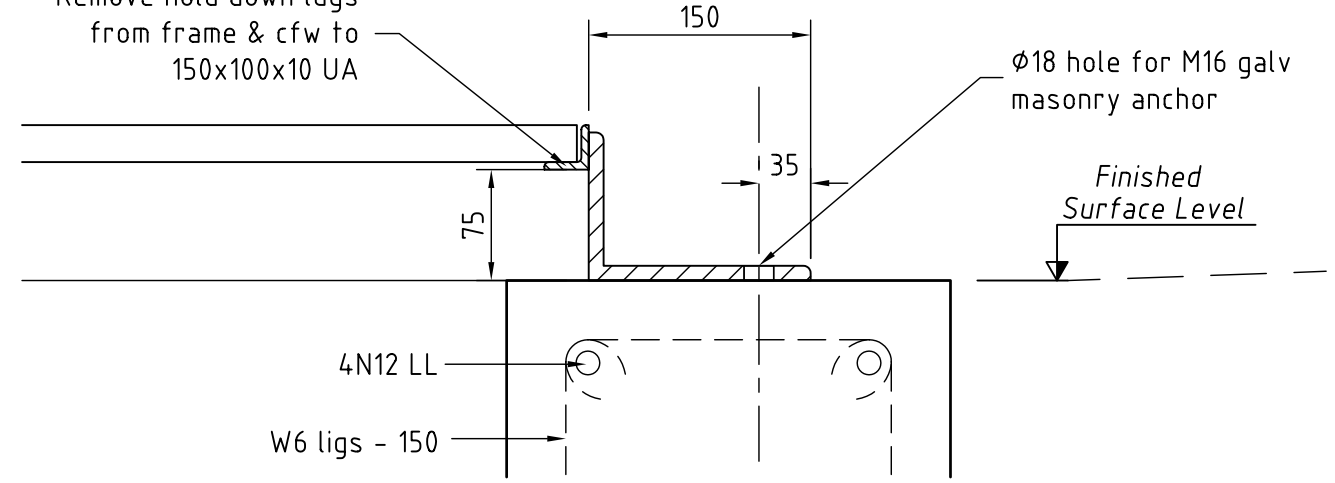


Masonry anchors located
clear of lifting points



Plan

Remove hold down lugs
from frame & cfw to
150x100x10 UA

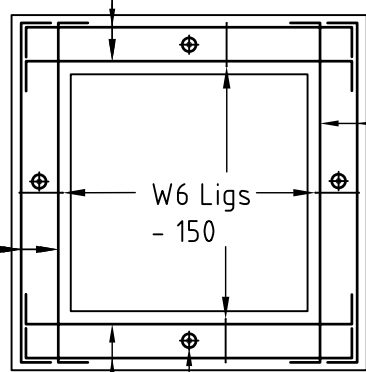


Frame Fixing Detail

NTS

DISPLAY PURPOSES ONLY

2N12 LL
Top & Bottom

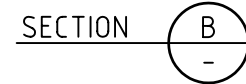


2N12 LL
Top & Bottom

2N12 LL
Top & Bottom

2N12 LL
Top & Bottom

Provide 1.3 tonne lifting
points central in span (4 reqd)



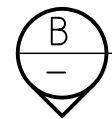
Pre-cast slab top

1:25

Notes:
Lig size 200 x 100
Cog length 150
Min cover 40mm
Concrete N40 (precast slab top)
Lifting insert SWL = 7KN (min)
H.D.Galv. frame after fabrication

NOTES

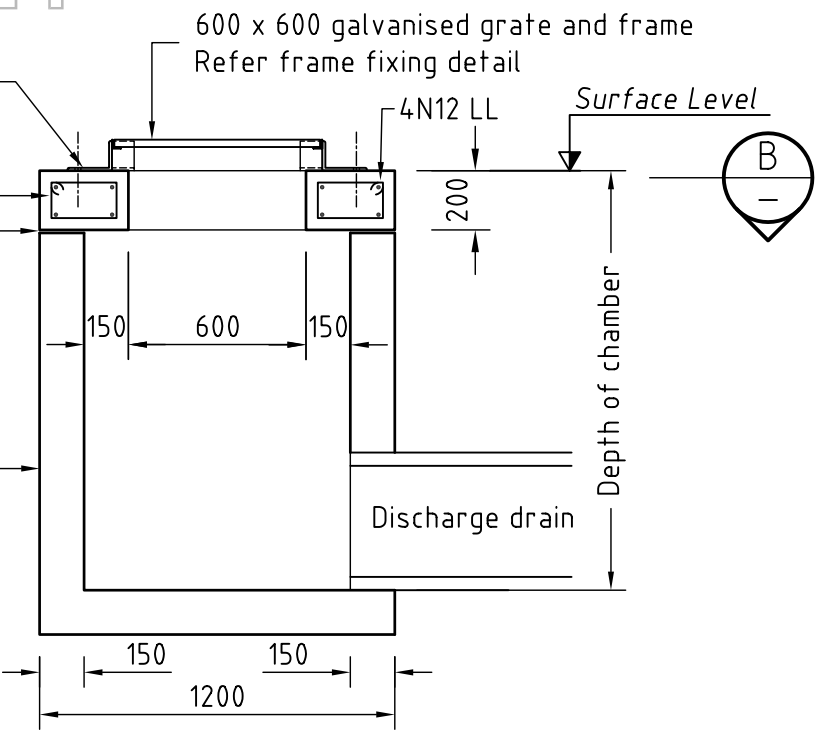
- * All dimensions in millimetres unless otherwise noted
- * Concrete to walls and base N25
Concrete to precast slab top N40
- * Maximum depth of chamber 1800mm.
Site specific design by engineer of walls and slab top
required for depth greater than 1800mm and/or openings
greater than 600 x 600
- * Frame grate and angles hot dip galvanised
- * All reinforcing grade 500N to AS4671
- * All welds cfw
- * Refer dwg no. 14057 for standard manhole details
- * Min cover to reinforcing steel 40mm
- * Grate and frame shall be approved proprietary product
designed for pedestrian loading



150x100x10 UA 75 wide
ø18 hole for M16 galv. mas.
anchor.

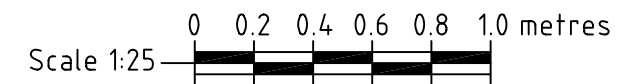
W6 Ligs - 150
10 Mortar Pad

Standard Type
1 manhole



SECTION A

NTS



						ASSOCIATED DRAWINGS				DES	GRP	DRAINAGE STANDARD RAISED GRATE FIELD INLET			
										DRN	GRP				
						LEVEL DATUM		APPROVED		CKD	DWW				
						SV INDEX NO.		original signed by R. Plant 04/08/04		SD	GRP	DATE	SCALE	DRAWING NO.	A3
						INDEX NO.		MANAGER - CITIWORKS		ENG	RCC	2/8/04	As shown	61647	
ZONE	REF.	REVISIONS	BY	CKD.	DATE	ERGON	TELSTRA	INDEX NO.	original signed by A. Sadler 04/08/04						