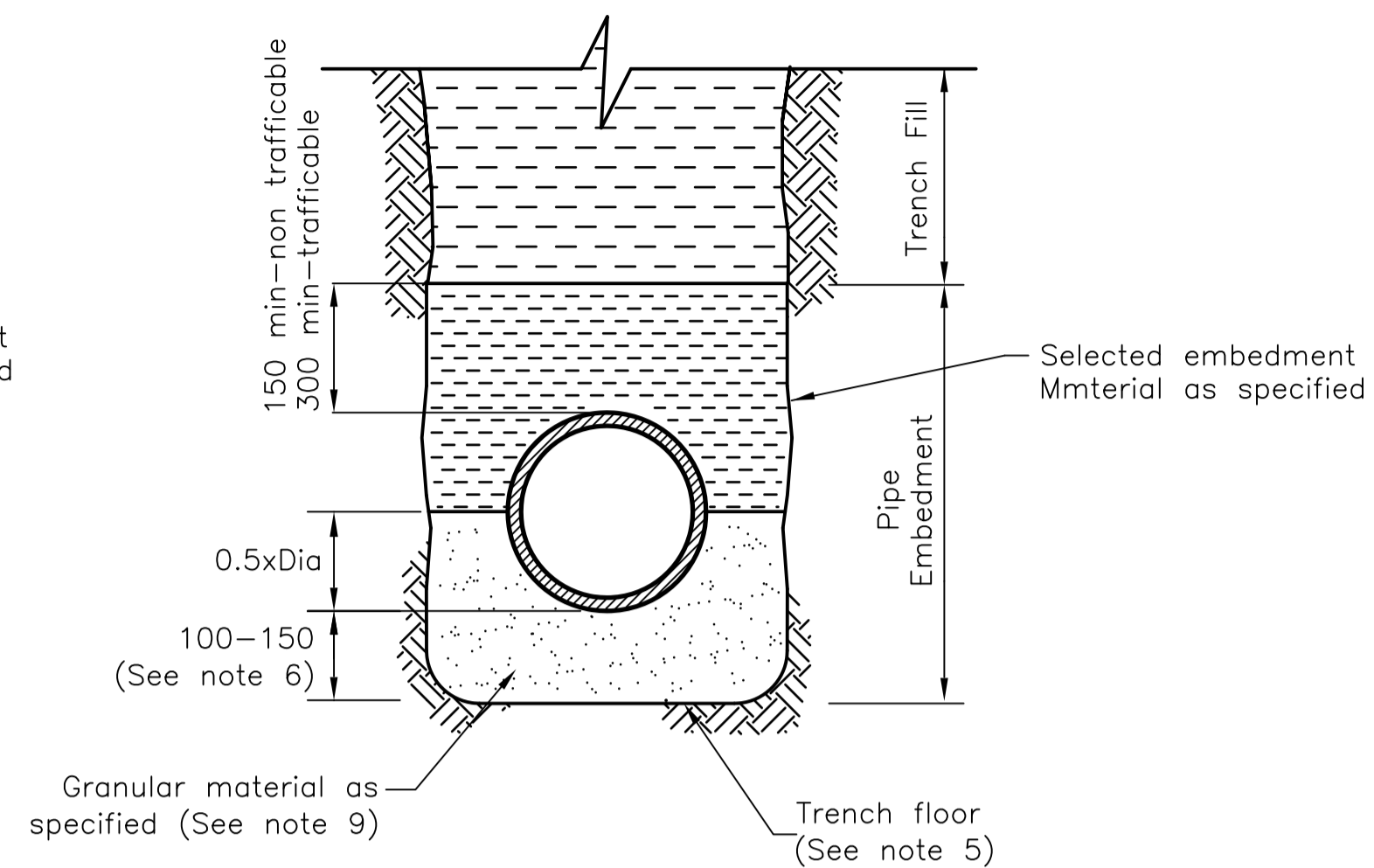
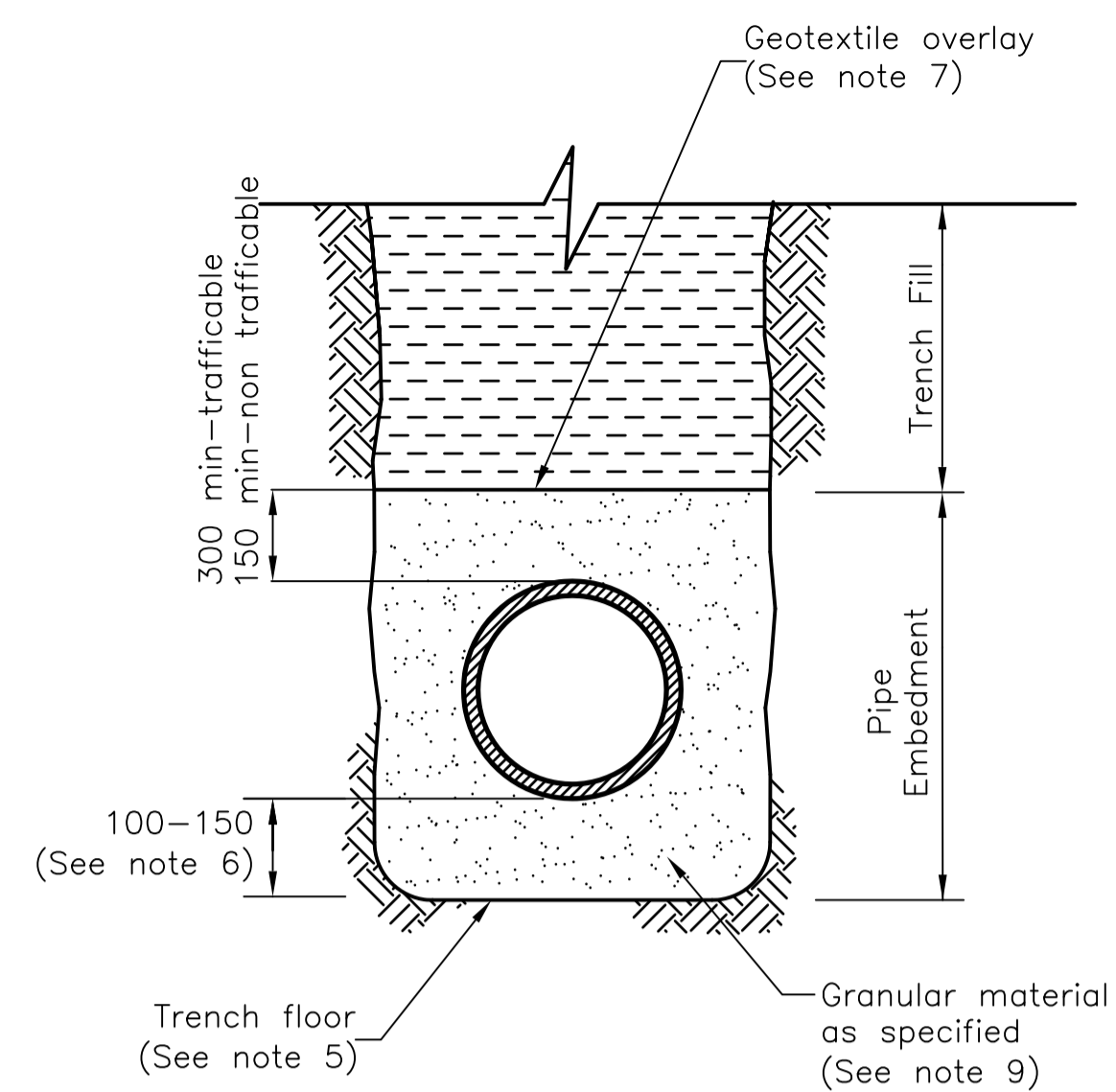


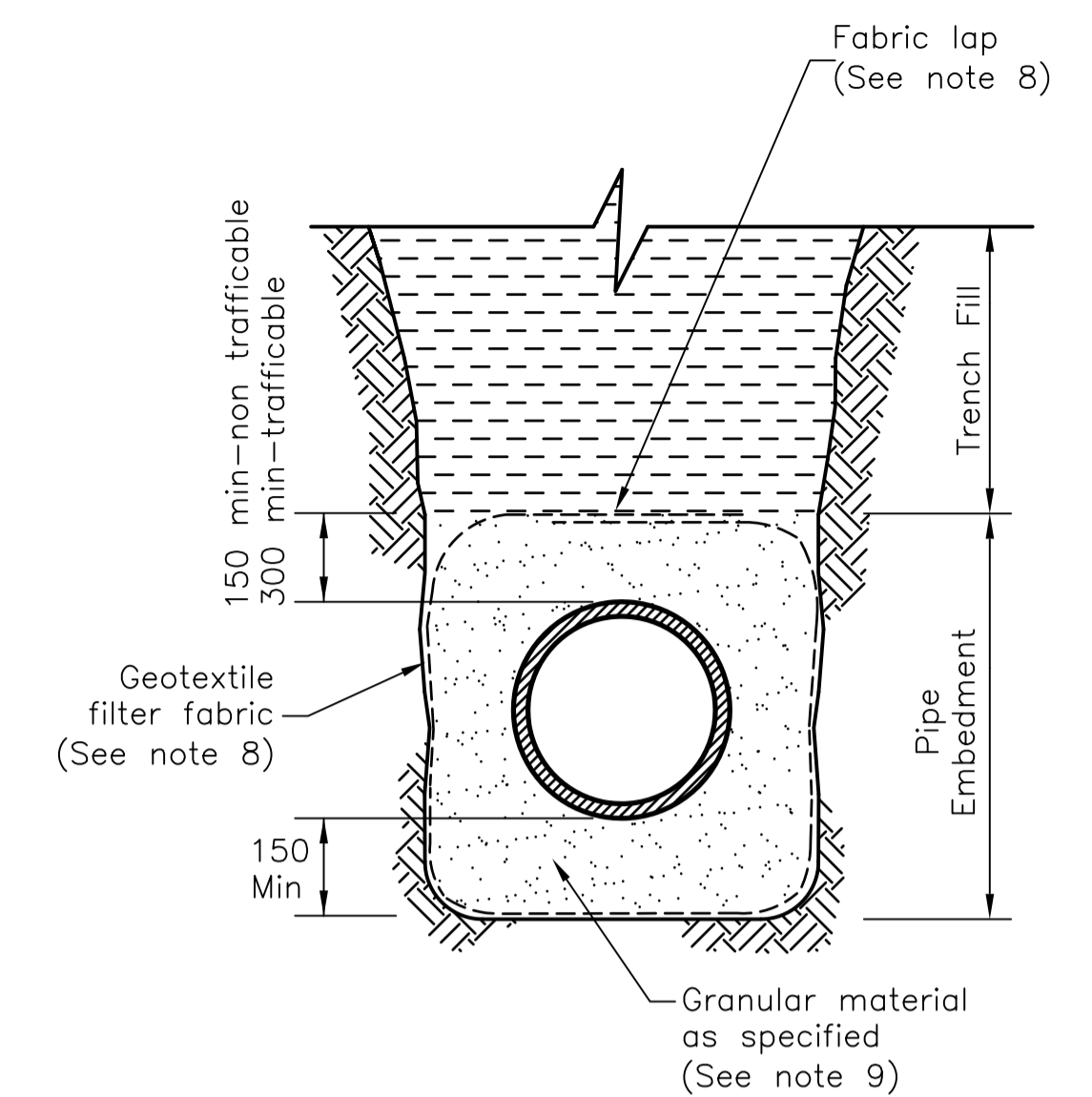
TYPE 1 SUPPORT
FOR RIGID PIPES ONLY
(SEE NOTE 3)



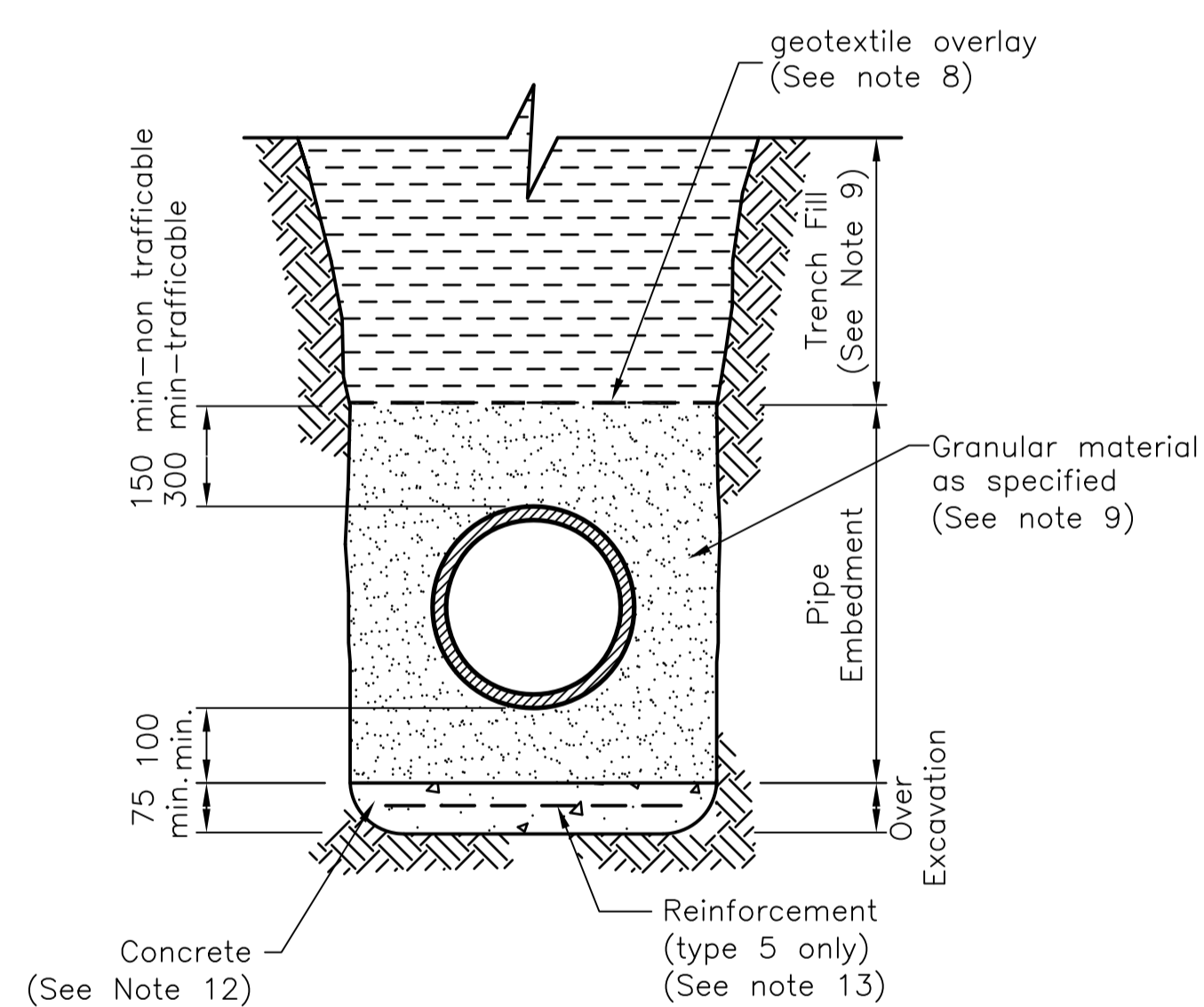
TYPE 2 SUPPORT
FOR RIGID PIPES ONLY
(SEE NOTE 3)



TYPE 3 SUPPORT
FOR FLEXIBLE & RIGID PIPES
(SEE NOTE 3)

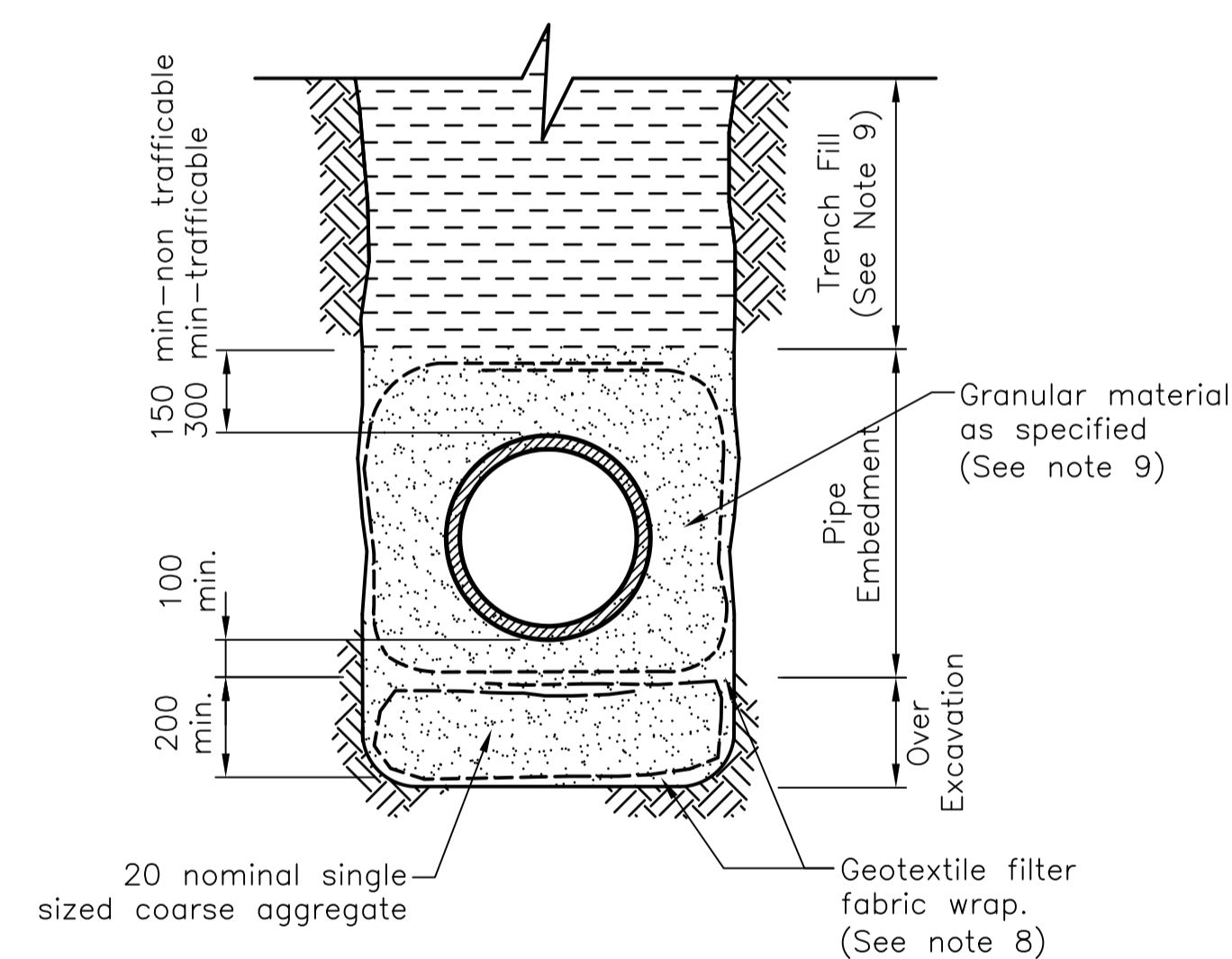


TYPE 4 SUPPORT
WITH GEOTEXTILE FOR FLEXIBLE
& RIGID PIPES (SEE NOTE 3)

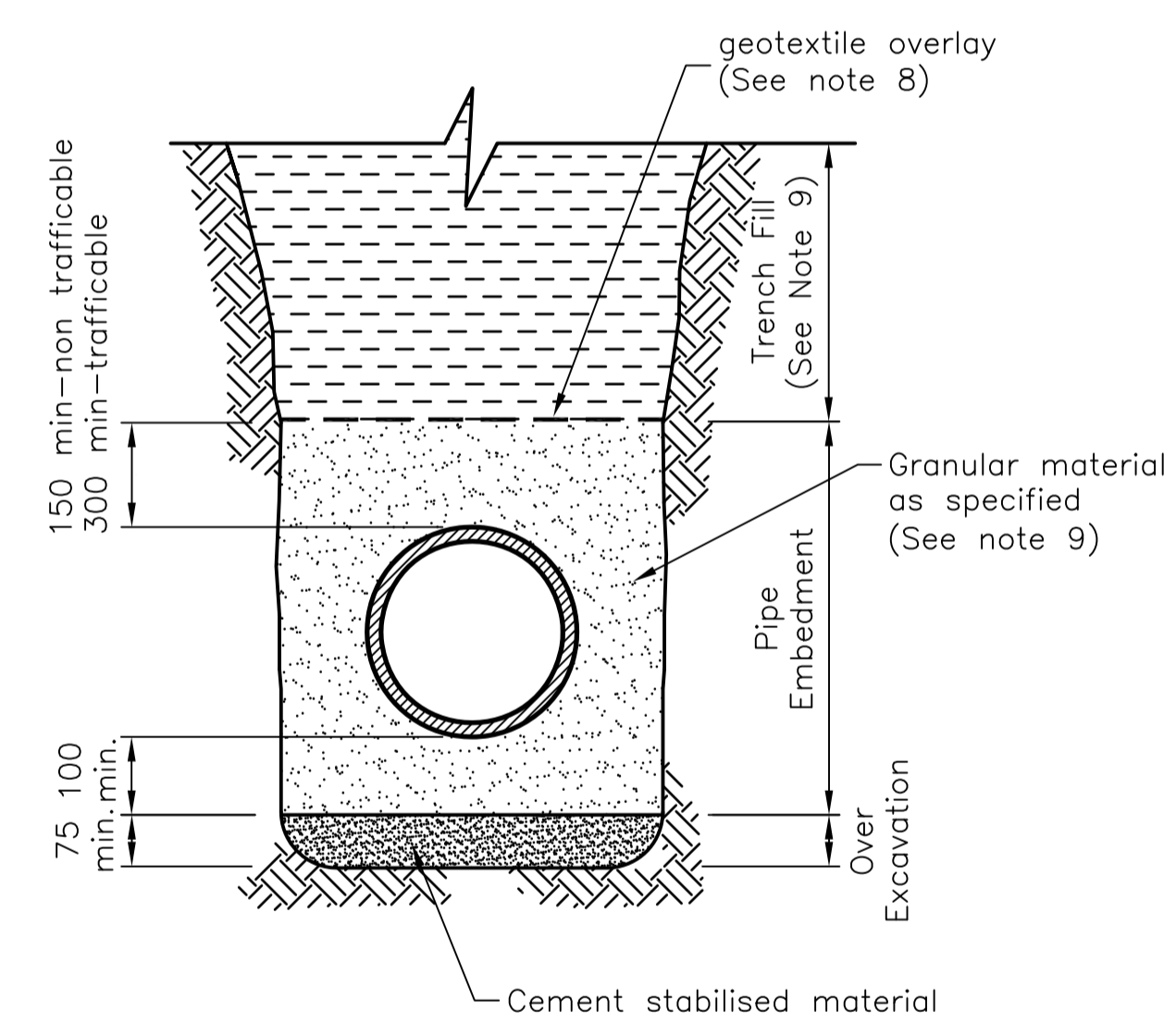


TYPES 5 & 6 SUPPORT
UTILISING CONCRETE FOUNDATION
NON-REINFORCED (TYPE 5)
REINFORCED (TYPE 6)
(RIGID & FLEXIBLE PIPES)

USE LIMITED TO 1000 SPANS OF LOW BEARING
CAPACITY GROUND. (SOFT CLAYS AND LOOSE SAND)
LONGER LENGTHS SUBJECT TO INDIVIDUAL ASSESSMENT.



TYPE 7 SUPPORT
UTILISING GEOTEXTILE PILLOW FOUNDATION
(RIGID & FLEXIBLE PIPES)



TYPE 8 SUPPORT
UTILISING CEMENT STABILISED FOUNDATION
(RIGID & FLEXIBLE PIPES)

NOTES:

- All dimensions are in millimetres unless noted otherwise.
- This drawing to be read in conjunction with standard drawing SD-460.
- Pipe classification:
 - Rigid pipes: VC and RC
 - Flexible pipes: PVC, GRP, Steel, DI and PE.
- Placement of embedment, trenchfill & compaction to meet the requirements of WSA 02 part 3.
- Excavate or compact trench floor to provide a flat firm base to support bedding material and minimise pipeline settlement. When excavated, replace with granular material as specified for bedding or adopt type 5, 6, 7 or 8 support as required.
- Ensure bedding is deep enough that pipe joint projections (sockets, flanges) do not touch trench floor.
- Type 4 support to be used where migratory native soils (sands & clays) are encountered adjacent to the embedment zone and single size aggregate is used.
- Geotextile overlay is required for coarse aggregate embedment (ie single sized granular fill $\geq 5\text{mm}$). Lay geotextile filter fabric against trench floor and walls such that it fully encases the foundation material in the over excavation. Embedment (if required) encase separately.
 - Press filter fabric into the voids before installing embedment to prevent fabric tearing.
 - provide a minimum of 250 overlap at all filter fabric joints.
- Purchase specifications for trench fill and embedment material are detailed in WSA 02 part 2, or provided in the job specification.
- Type 3 support is normal requirement, however design drawings or job specification is to nominate the pipe support type required.
- Use these support types only where specified by the designer. Details to be provided in design drawings.
- Unreinforced concrete to be class N20, and reinforced concrete N25. For aggressive conditions use special class concrete.
- Minimum steel reinforcement of 0.4% of concrete cross section placed centrally and with 65 minimum cover to external face. Reinforcement details for the applicable loading to be included in the design drawings.
- Embedment material to be in accordance with design drawings, job specification and AS2566.2, table G1, G2 and G3.

EMBEDMENT TYPES TO BE SPECIFIED
IN DESIGN DRAWINGS

NOTES : BASED ON FORMER WSA DRAWING
SEW-1202 & SEW-1203

Full Size A1

DRAWN: DESIGN OFFICE

CHECKED: D. MOSELEY

Not to Scale

Design Engineer Approved: Original signed by P. TURL

Date: 26/07/2012

Manager Approved: Original signed by P. MENDIOLEA

Date: 26/07/2012



Ph: (07) 4727 9000
www.townsville.qld.gov.au

PIPE EMBEDMENT
SUPPORT TYPES

STANDARD
DRAWING
SEWERAGE

SD-461

B

No.	DATE	DESCRIPTION	AP'D
B		NOTES AMENDED	
A		ORIGINAL ISSUE	
REVISIONS			