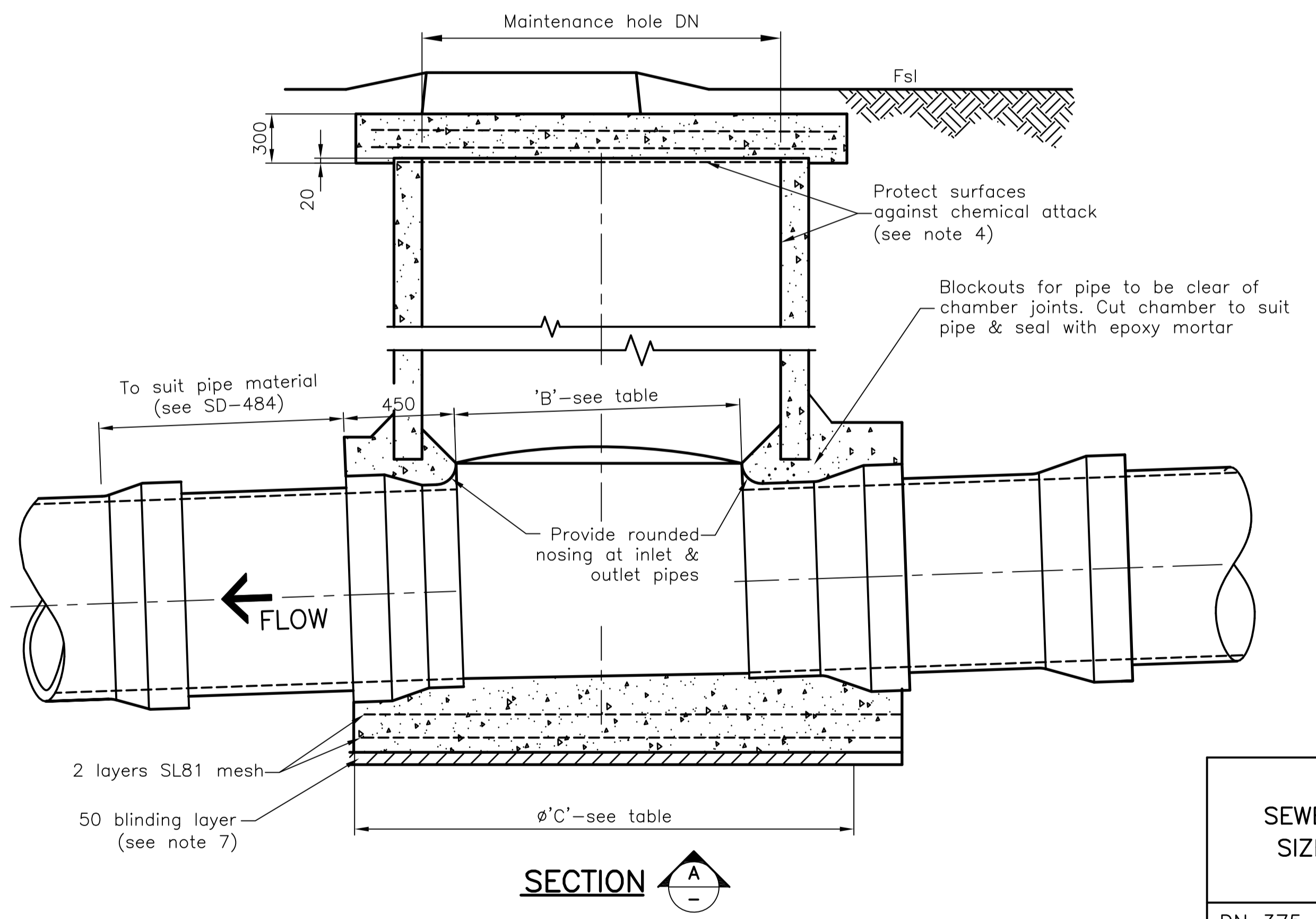
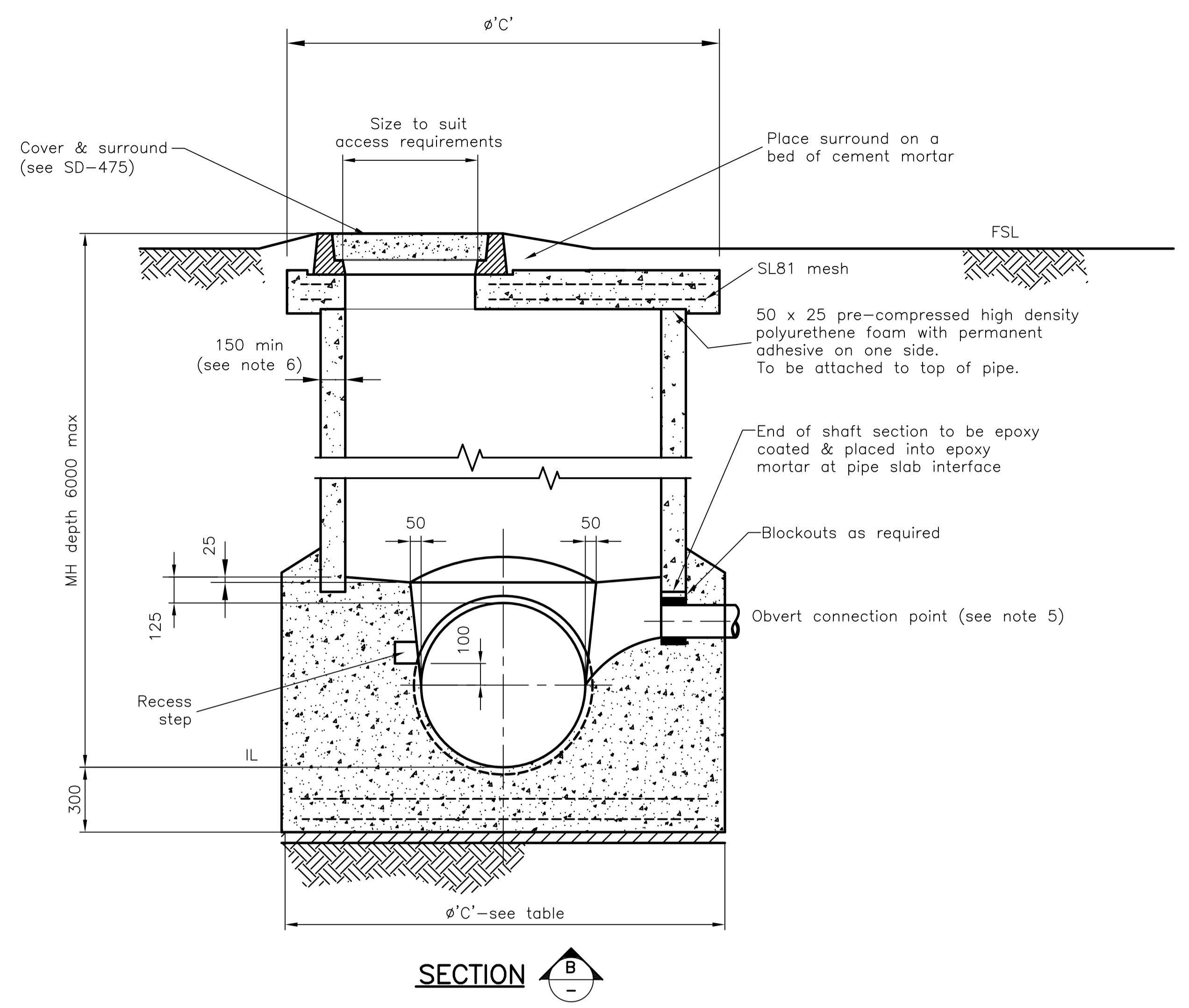
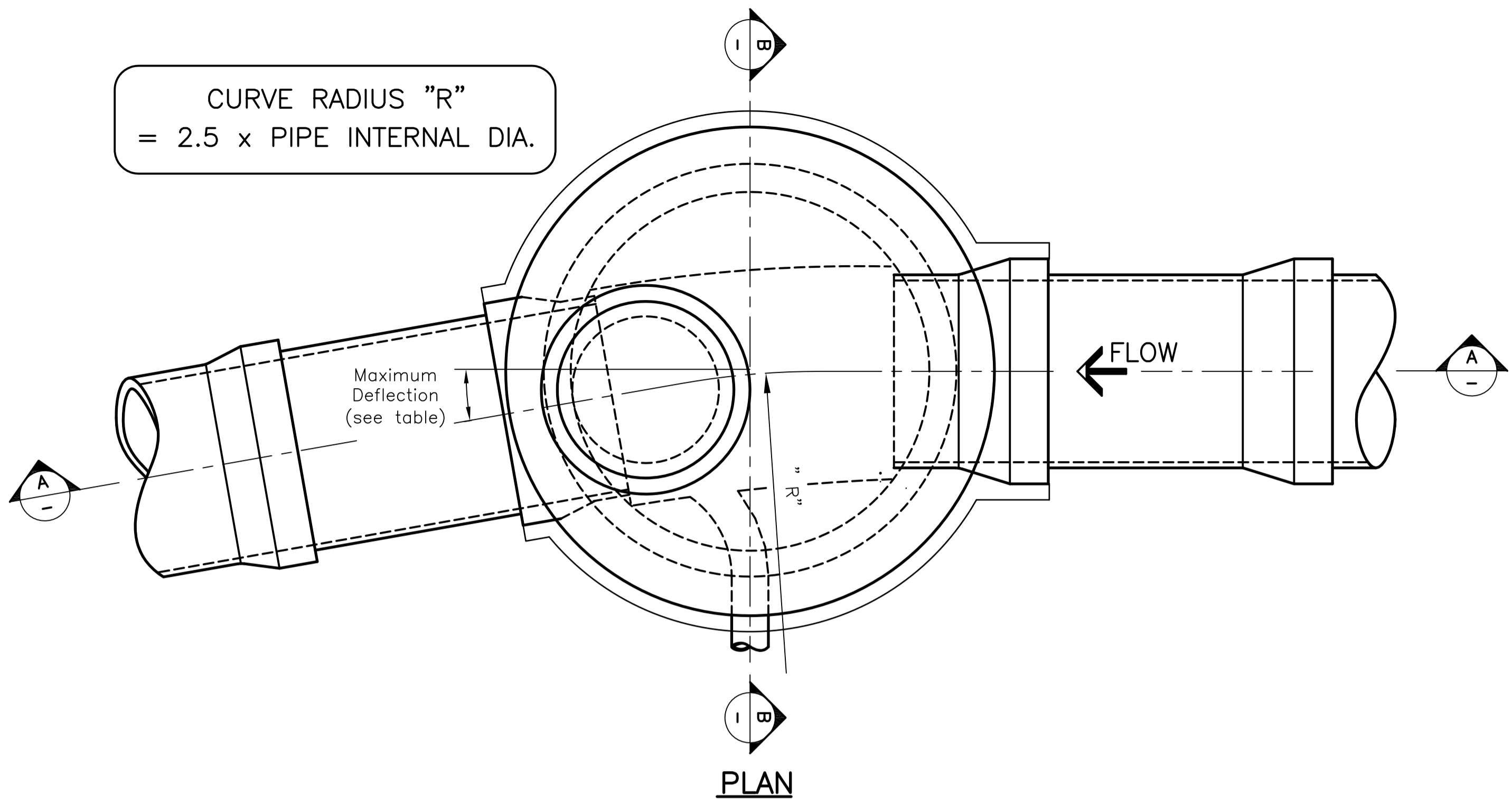


CURVE RADIUS "R"
= 2.5 x PIPE INTERNAL DIA.



- NOTES**
1. All dimensions are in millimetres unless noted otherwise.
 2. Structural concrete to be S40 min mass concrete to be special class.
 3. Reinforcement as per structural design with 65 minimum cover.
 4. Inside surface of MH and underside of roof to have epoxy coating, PVC lining or PE lining epigen 1311 (or equivalent epoxy coating).
 5. Alternatively incorporate vertical drop for high level sewers see SD-474.
 6. Wall thickness to be 150 min or 225 min in aggressive soils, high water table and saline environments.
 7. Refer to WSA 02 pt 3 - for foundation details.
 8. Access opening to be located above the outlet sewer pipe.

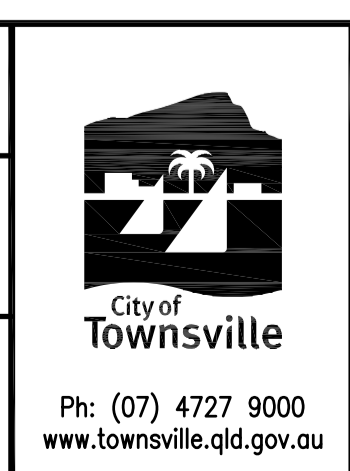
SEWER SIZE	MAXIMUM HORIZONTAL DEFLECTION AT CHAMBER	NOMINAL MH DIAMETER	'B'	$\phi'C'$
DN 375 TO 450	45°	DN 1200	800	1700
DN 500 TO 675	35°	DN 1500	1100	2000
	45°	DN 1800	1400	2300
DN 750	40°	DN 1800	1400	2300

No.	DATE	DESCRIPTION	AP'D
B		NOTES AMENDED	
A		ORIGINAL ISSUE	
REVISIONS			

NOTES : BASED ON FORMER WSA A DRAWING SEW-1309

Full Size A1
Not to Scale

DRAWN: DESIGN OFFICE
CHECKED: D. MOSELEY
Design Engineer Approved: Original signed by P. TURL
Date: 26/07/2012
Manager Approved: Original signed by P. MENDIOLEA
Date: 26/07/2012



**MAINTENANCE HOLES
SEWER DN 375 TO DN 750**

**STANDARD
DRAWING
SEWERAGE**
SD-476 B