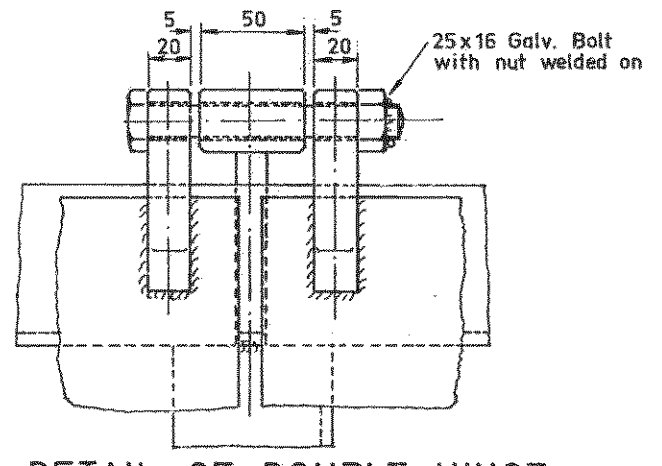
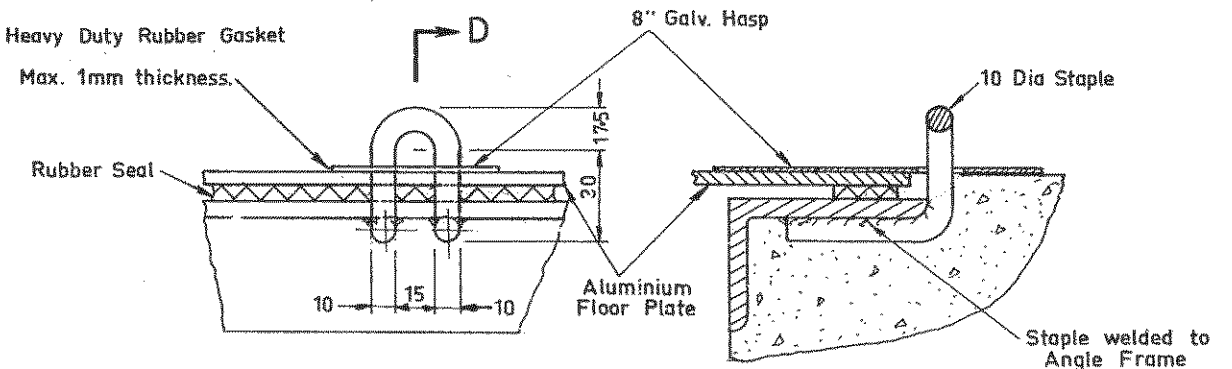


PLAN OF TYPE II ACCESS COVER & FRAME

PLAN OF TYPE I ACCESS COVER & FRAME

DETAIL OF HINGE



DETAIL OF STAPLE

SECTION 'D-D'

DETAIL OF DOUBLE HINGE

SCALE OF PLANS 0 20 40

SCALE OF DETAILS 0 40 80

NOTE:- All mild steel items to be Hot Dipped Galvanized.



ZONE REF.	REVISIONS	BY	CKD.	DATE

ASSOCIATED DRAWINGS		
Submersible Pump Stn.	A1. 14804	
"	"	A1. 14805
LEVEL DATUM	F.B.	L.B.
T.R.E.B.	P.M.G.	D.O. FILE NO.

TOWNSVILLE CITY COUNCIL	
APPROVED	DES. J.McC.
<i>Almington</i>	DRN. C.T.
CITY ENGINEER	TCD. J.McB. PL.
<i>M. Steele 25-7-74</i>	CKD. <i>[Signature]</i>
DESIGN ENGINEER	CD.

STANDARD ALUMINIUM MACHINERY ACCESS COVERS TYPE I & II FOR SUBMERSIBLE PUMP STATION				
DATE	M/FILM	SCALE	DRAWING NO.	
5-6-1974		As Shown	13929	A2