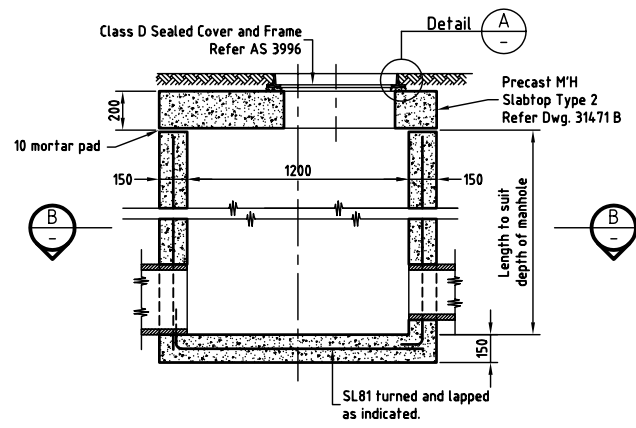
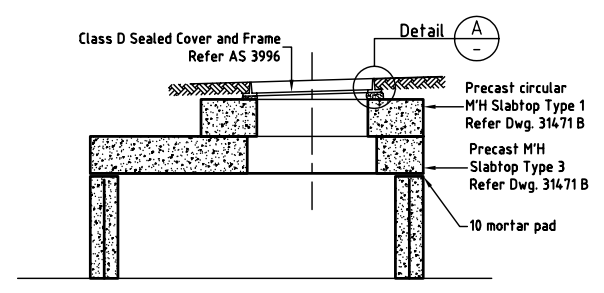


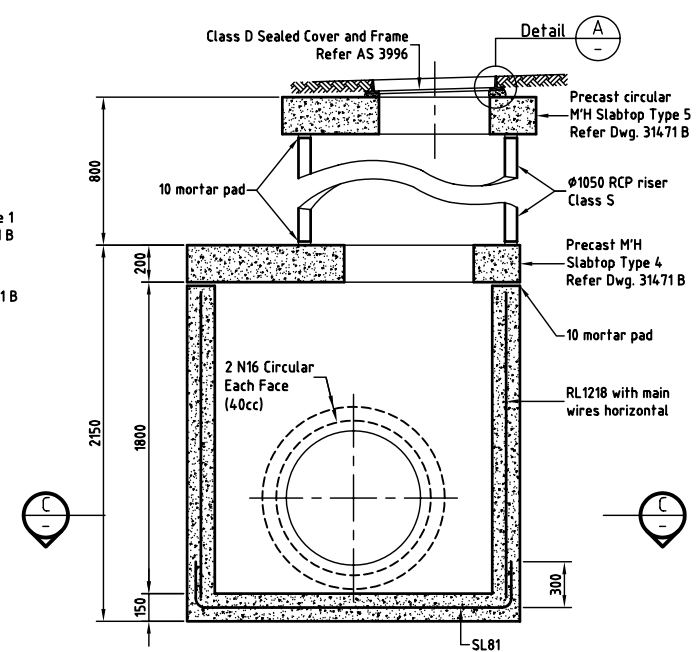
SECTIONAL ELEVATION



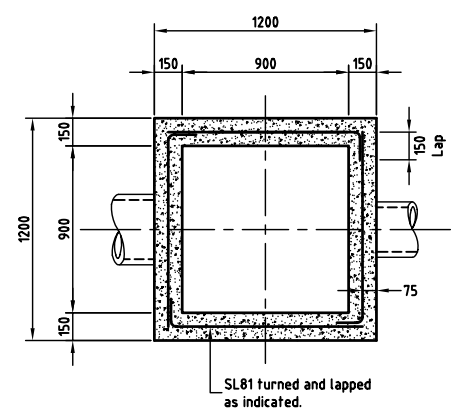
SECTIONAL ELEVATION



ALTERNATIVE M'H TYPE 3 DETAIL WITHOUT R.C PIPE RISER

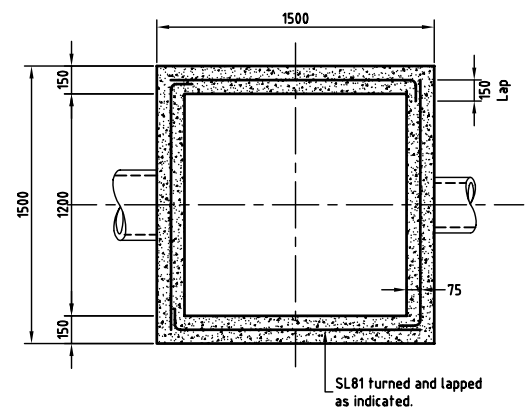


SECTIONAL ELEVATION



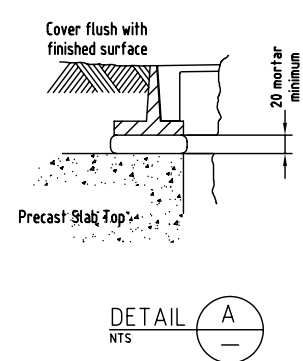
SECTION A SCALE 1:20

MANHOLE TYPE 1 FOR PIPES UP TO 750mm. for boxes up to 750 x 600mm

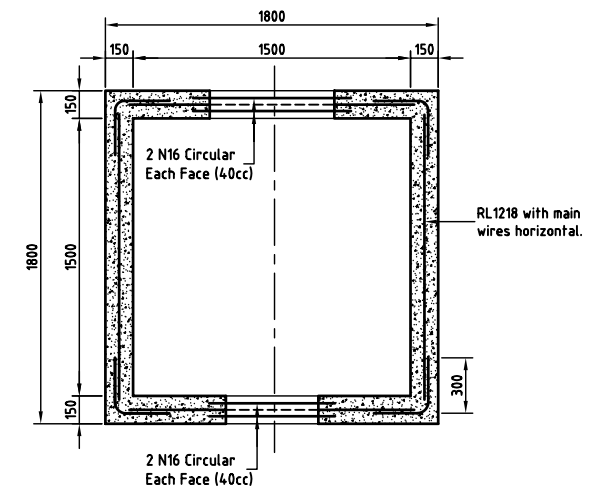


SECTION B SCALE 1:20

MANHOLE TYPE 2 FOR PIPES UP TO 1050mm. for boxes up to 900 x 750mm



DETAIL A NTS



SECTION C SCALE 1:20

MANHOLE TYPE 3 FOR PIPES UP TO 1500mm. for boxes up to 1500 x 1500mm

DISPLAY PURPOSES ONLY

ZONE	REF.	REVISIONS	BY	CKD.	DATE
H		Updated and Redrawn Electronically	DWW		

NOTES
Concrete - 32 MPa @ 28 days
Max. W/C ratio=0.55
Max. Agg. size=20mm
Slump=75mm



ASSOCIATED DRAWINGS	
314.71 B	
LEVEL DATUM	SV INDEX NO.
ERGN	TELSTRA

CITIWORKS
TOWNSVILLE

APPROVED

original signed by R. Plant 19/11/02
MANAGER - CITIWORKS

original signed by K. Palmer 19/11/02
OPERATIONS ENGINEER

DRAINAGE STANDARDS MANHOLE DETAILS							
DES.	DRN.	SD.	GRP.	DATE	M/FILM	SCALE	DRAWING NO.
-	DWW	GRP	RCC	11/2002		as shown	14057H A1