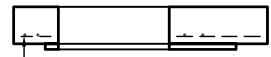
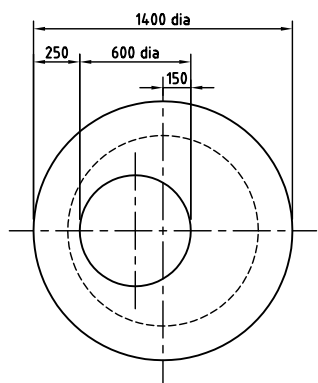


ELEVATION

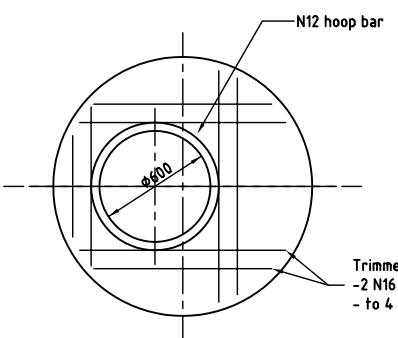


SECTIONAL ELEVATION

Trimmer Bars:  
- 2 N16 @ 75 crs  
- to 4 sides as drawn



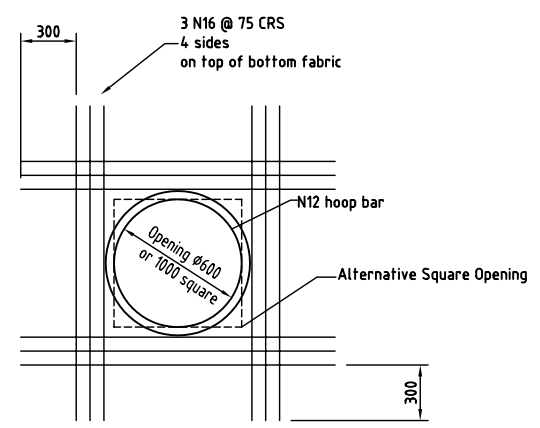
PLAN



SLAB REINFORCEMENT

Note: SL81 omitted for clarity see text above

Trimmer Bars:  
- 2 N16 @ 75 crs  
- to 4 sides as drawn



TRIMMER BARS TO OPENINGS - TYPICAL ARRANGEMENT

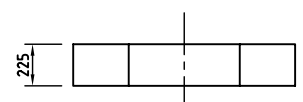
(Top & bottom fabric not shown for clarity - similar for square opening)

Notes

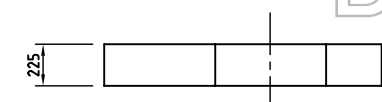
- Concrete:  
- Grade N32 in accordance with AS 1379 and AS 3600.
- Reinforcement:  
- Fabric - grade 500 to AS 1304  
- Bars, Grade 500 to AS 1302.
- Laps in reinforcement unless noted otherwise:  
- N 12 - 300,  
- N16 - 400,  
- Fabric - overlap 2 transverse wires
- Formwork in accordance with AS 3610.
- Design loads as per Austroads Bridge Code:  
- W7 wheel load  
- Dynamic factor 0.4
- Maximum fill over roof slab - 3 metres
- Exposure Classification - B1 - this drawing does not apply to exposure classifications more severe than B1.
- Reinforcement Cover - 45mm unless noted otherwise
- Refer project drawings for details of floors and walls.
- All dimensions in millimetres.

SLAB TOP DETAIL TYPE 5 FOR M/HOLE TYPE 3 WITH RISER

DISPLAY PURPOSES ONLY



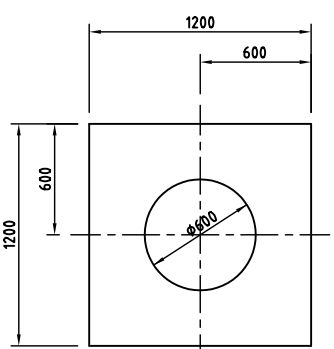
ELEVATION



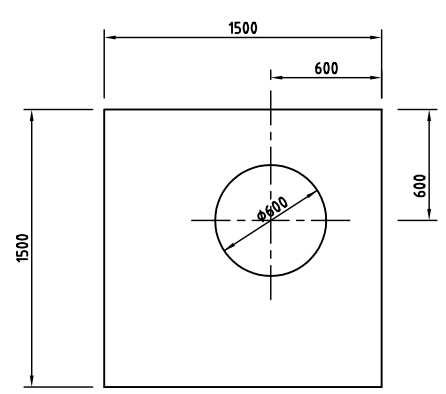
ELEVATION



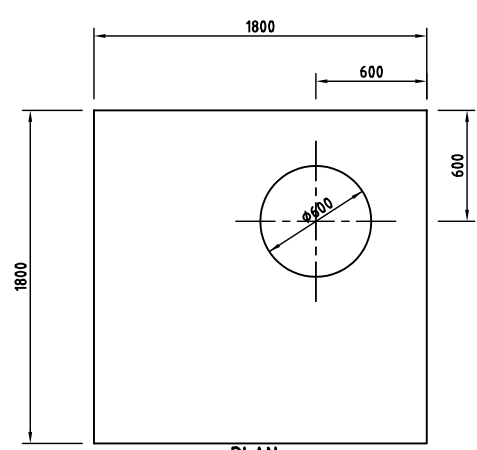
ELEVATION



PLAN



PLAN

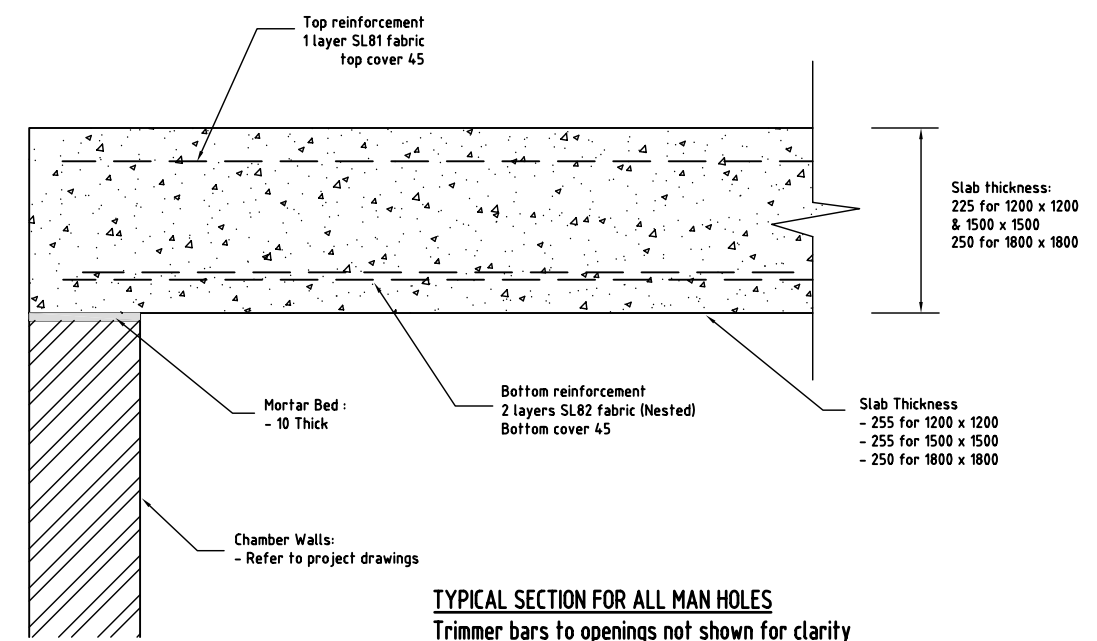


PLAN

SLAB TOP DETAIL TYPE 1 FOR M/HOLE TYPE 1

SLAB TOP DETAIL TYPE 2 FOR M/HOLE TYPE 2

SLAB TOP DETAIL TYPE 4 FOR M/HOLE TYPE 3 (WITH RISER)

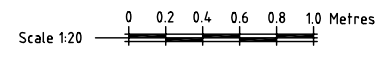


TYPICAL SECTION FOR ALL MAN HOLES  
Trimmer bars to openings not shown for clarity

Slab thickness:  
- 225 for 1200 x 1200  
& 1500 x 1500  
- 250 for 1800 x 1800

Slab Thickness  
- 255 for 1200 x 1200  
- 255 for 1500 x 1500  
- 250 for 1800 x 1800

Structural Details Adopted From Institute of Public Works Engineering  
Australia Queensland Division Standard Drawings D-0017 A & D-0011 C



ASSOCIATED DRAWINGS	
LEVEL DATUM	SV INDEX NO.
ERGN	TELSTRA

CITYWORKS TOWNSVILLE	
APPROVED	DES. -
original signed by R. Plant 19/11/02 MANAGER - CITYWORKS	DRN. EJC
ERGN	SD. GRP
original signed by K. Palmer 19/11/02 OPERATIONS ENGINEER	ENG. RCC

DRAINAGE STANDARDS PRECAST STORMWATER MANHOLE SLAB TOP DETAILS				
DATE	M/FILM	SCALE	DRAWING NO.	A1
11/2002		1:20	31471B	

ZONE	REF.	REVISIONS	BY	CKD.	DATE
B		Updated and Redrawn Electronically	DWW		