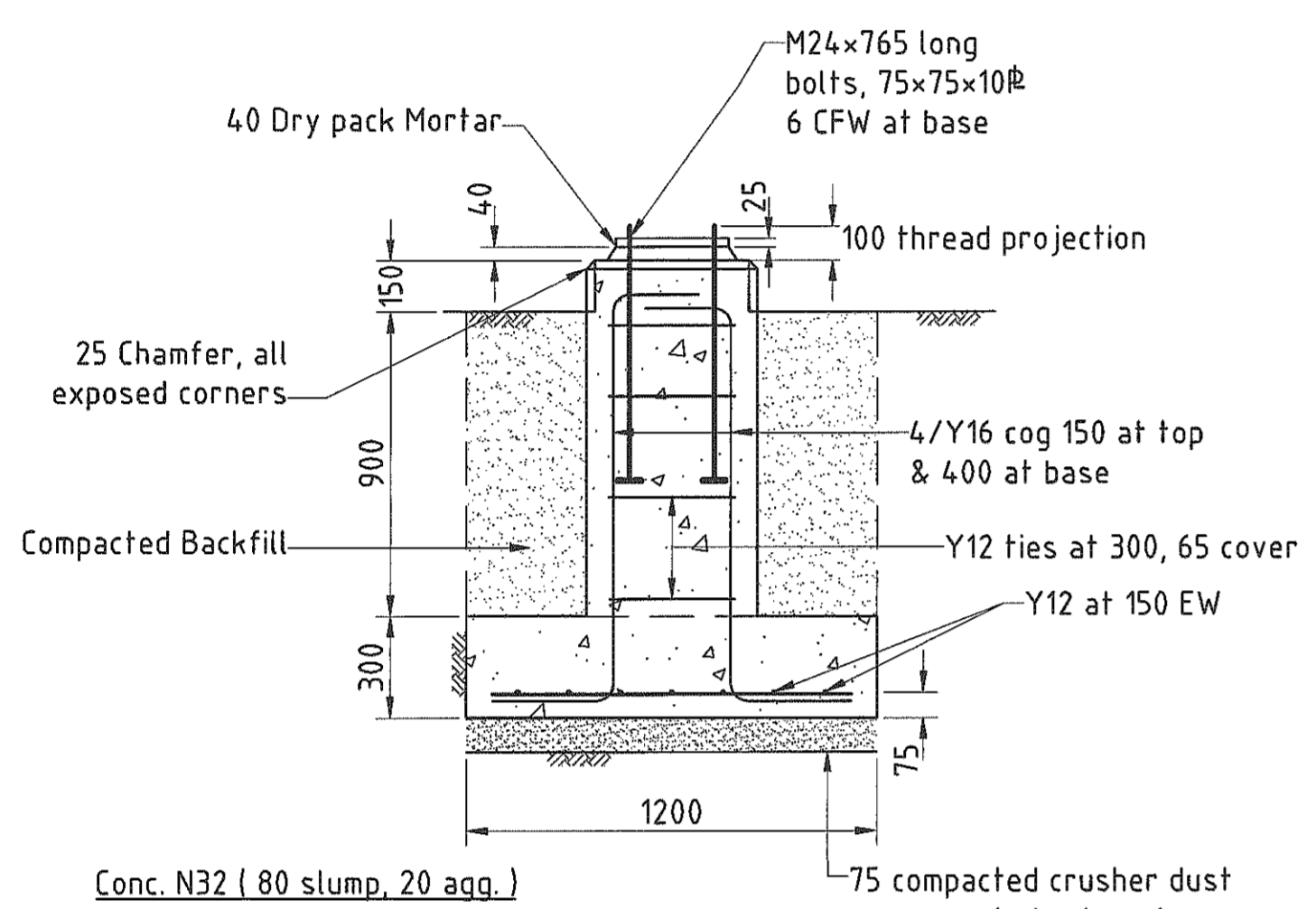
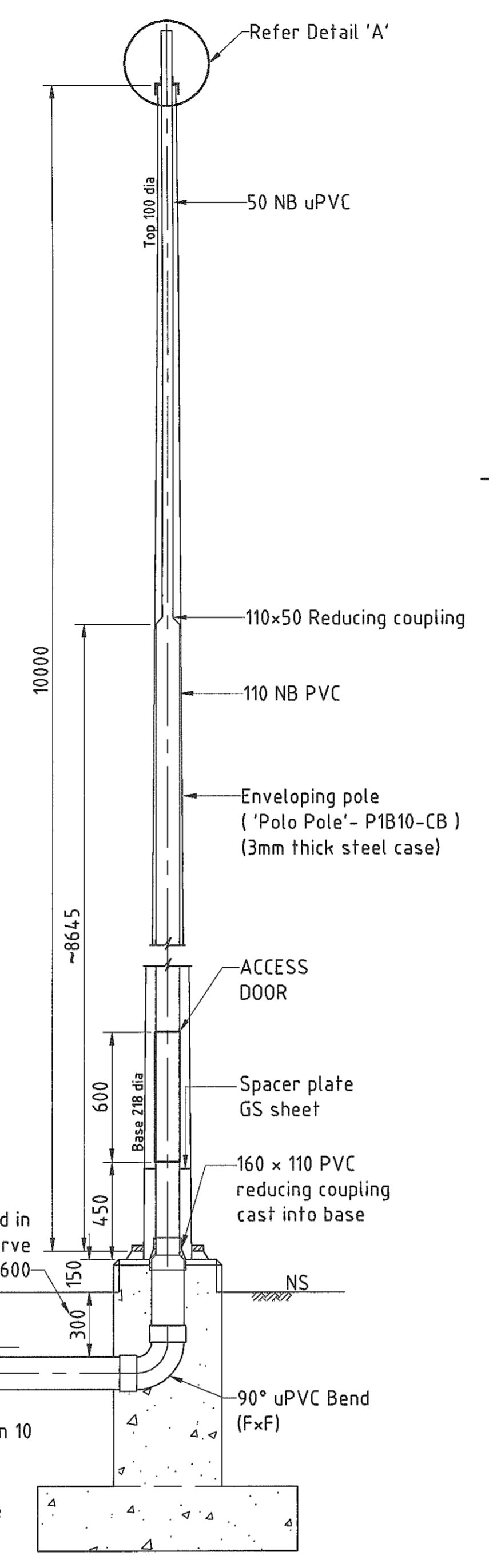


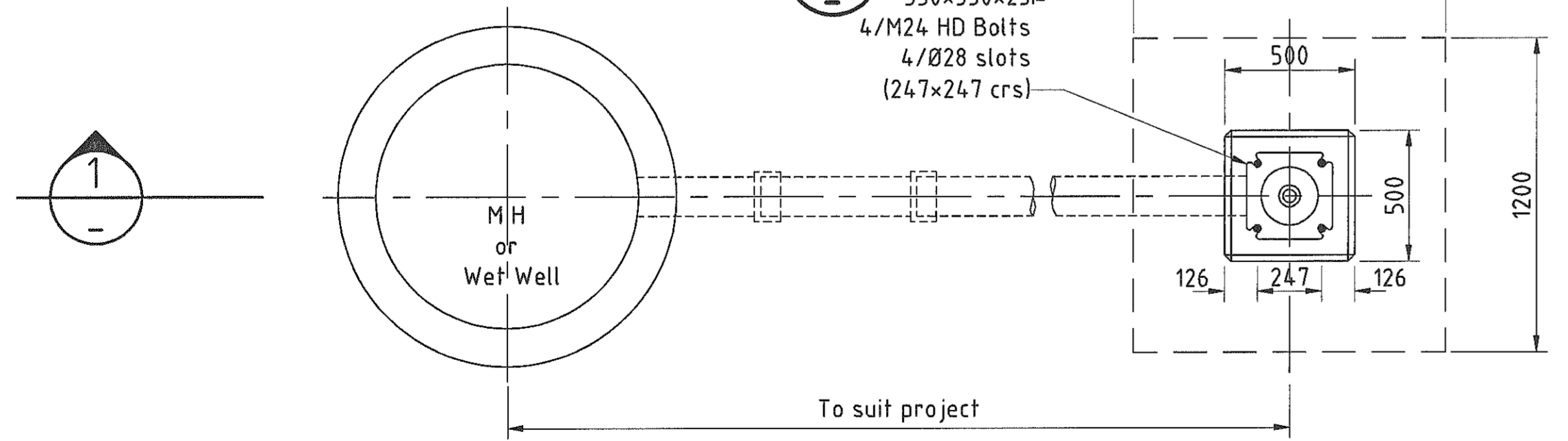
DETAIL 'A'



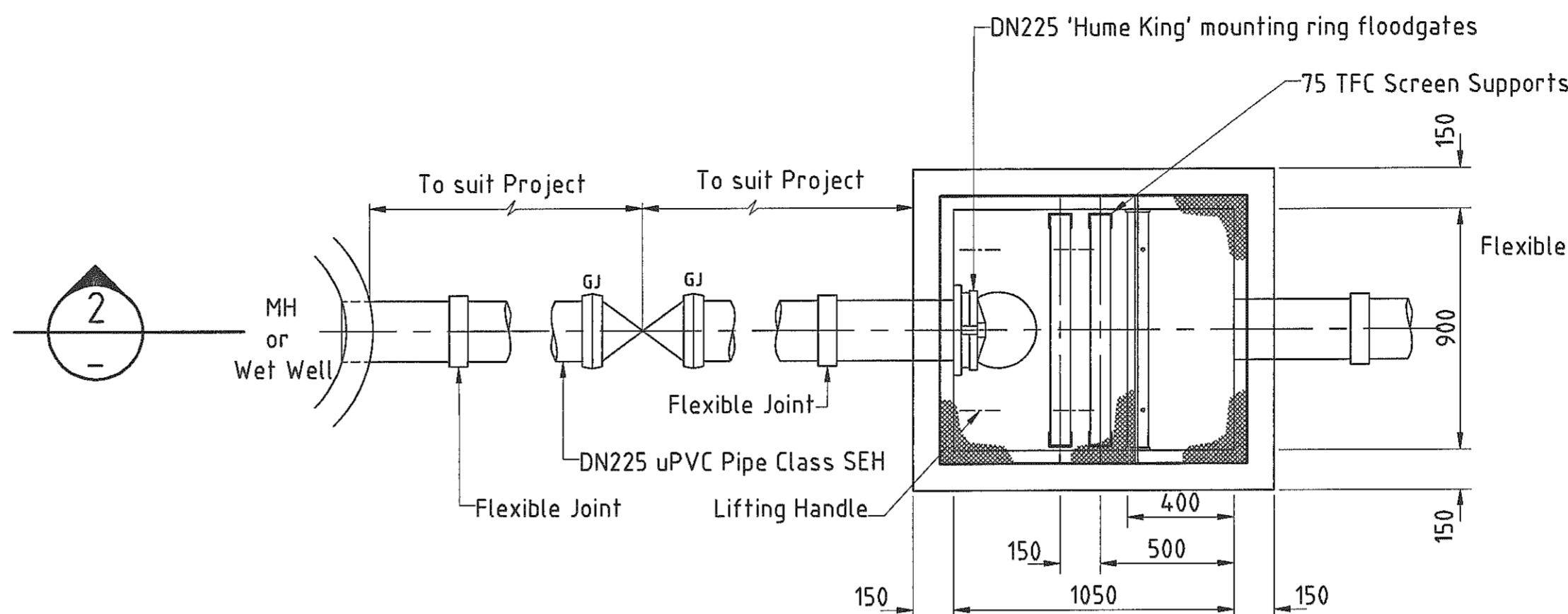
FOOTING DETAIL



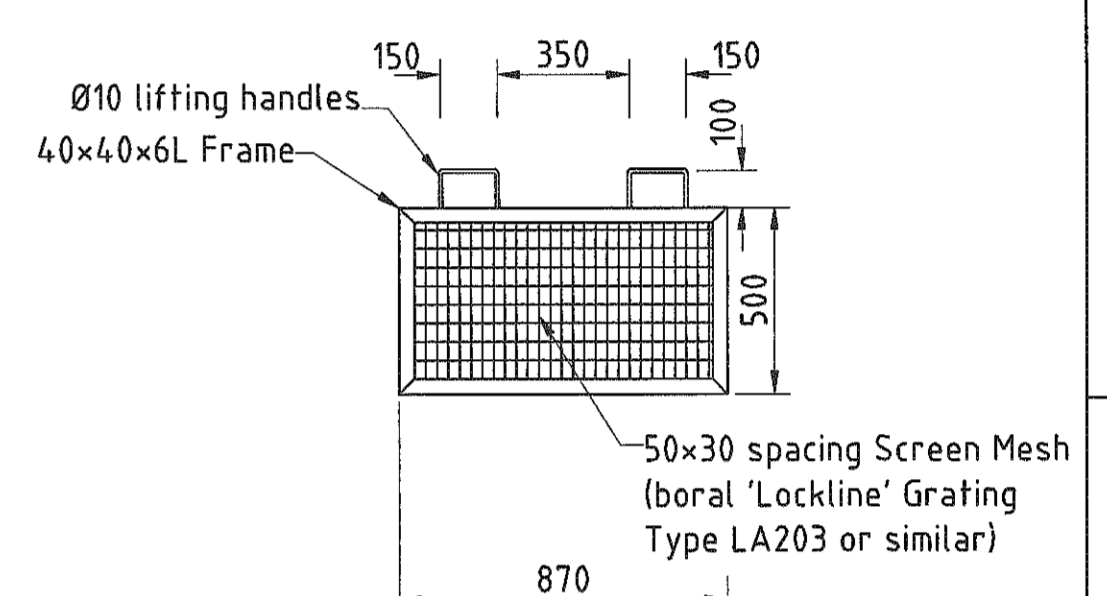
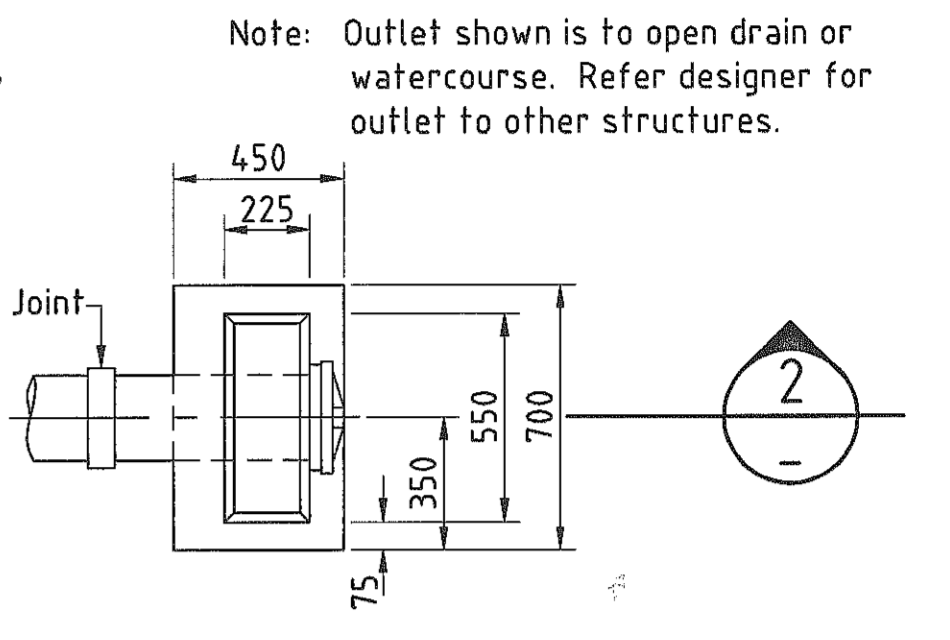
SECTION 1



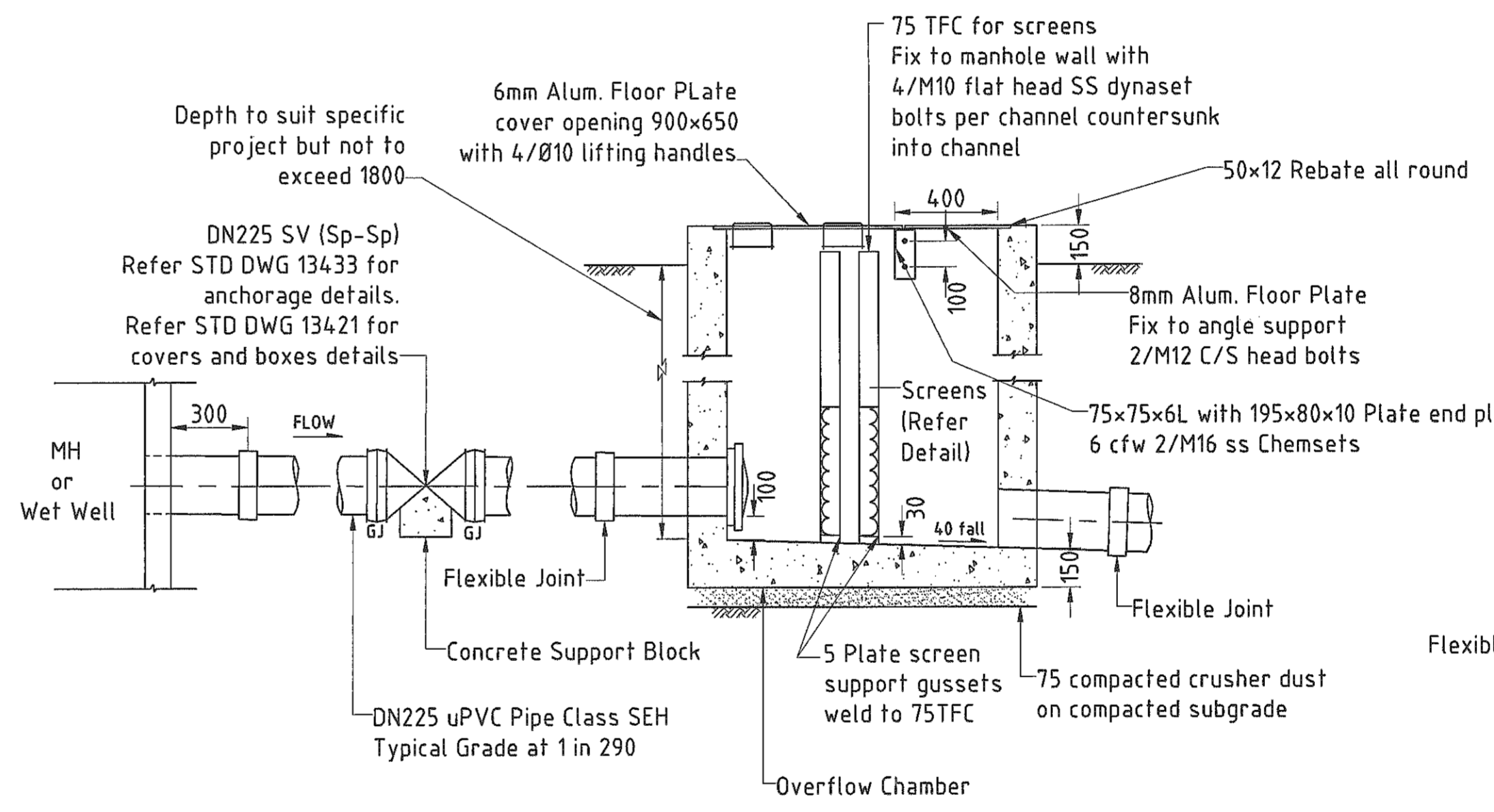
Plan
SEWER VENTILATION SHAFT



PLAN

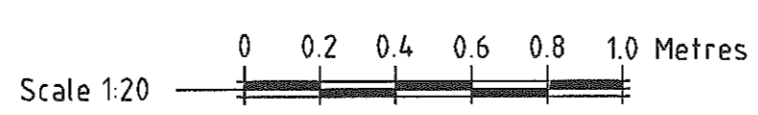


SCREEN DETAIL
(All Aluminium 6063-T5 Alloy & Temper)



SECTION 2

OVERFLOW MANHOLE ARRANGEMENT



ASSOCIATED DRAWINGS		CITIWATER TOWNSVILLE	
LEVEL DATUM	CAD INDEX NO.	APPROVED	DES. DOB
ERGON TELSTRA	D.O. FILE NO.	MANAGER	DRN. OFC
		ENGINEER - TECHNICAL SERVICES	SD. S/Nov01

SEWERAGE STANDARDS OVERFLOW MANHOLE ARRANGEMENT AND VENTILATION SHAFT DETAILS			
DATE	M/FILM	SCALE	DRAWING NO.
		As Shown	34107 A

ZONE	REF.	REVISIONS	BY	CKD.	DATE
A		REDRAWN CAD, UPDATED	OFC		5 Nov 01