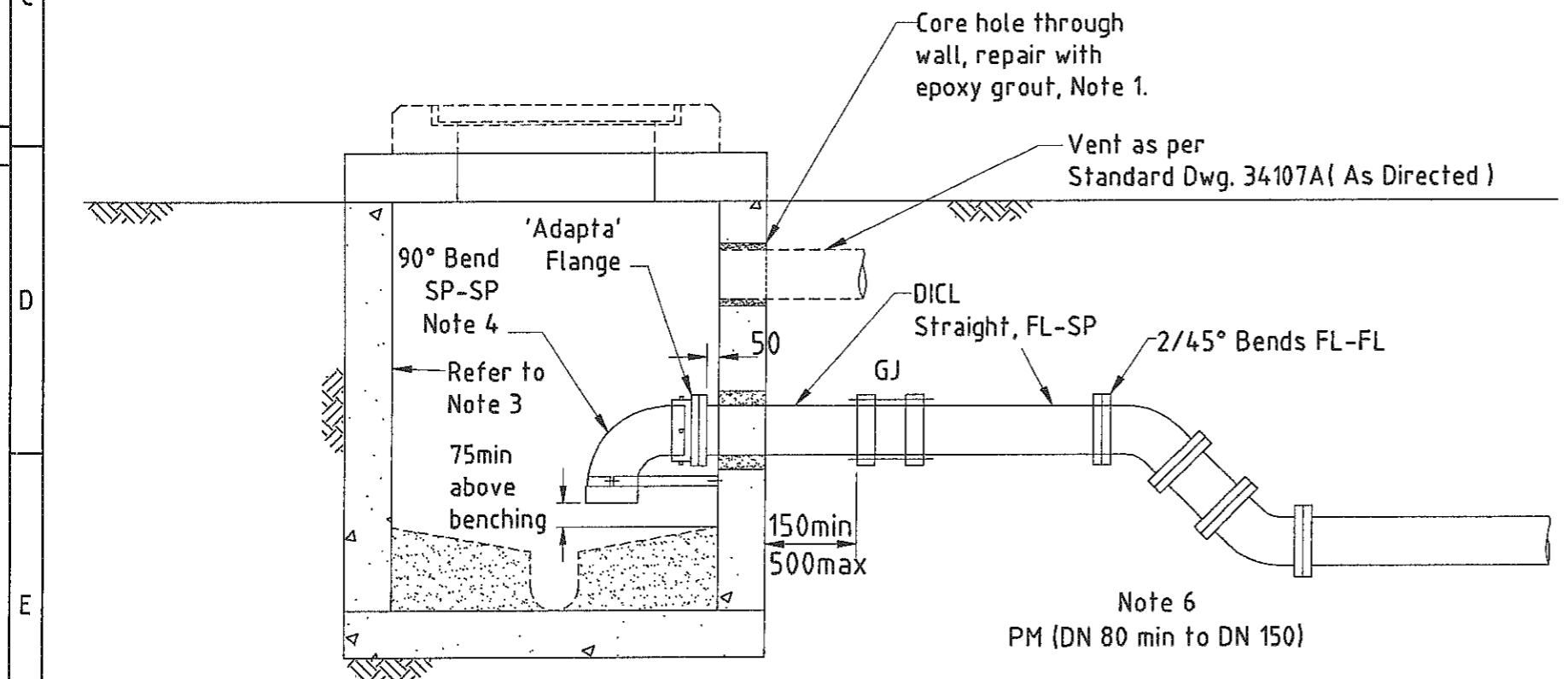


OPTION 1

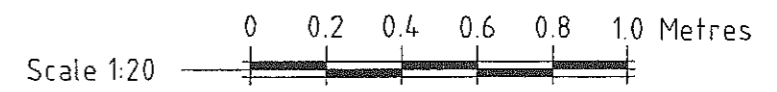
**DETAIL
PIPE SUPPORT
BRACKET**
Scale 1:10



TYPICAL ELEVATION OPTION 2

- Notes:
1. Cut into MH by Citiwater only.
 2. MH may require re-benching to suit.
 3. Complete internal surfaces of MH to be painted with 2 pack Epoxy eg Epirez, white colour.
 4. Turn Bend to face D/S Sewer.
 5. For PM larger than DN150, special design is required, consult Citiwater.
 6. Smaller bore PM may be used but only with Citiwater's approval, eg with a grinder pump.

53901



					ASSOCIATED DRAWINGS		CITIWATER TOWNSVILLE		SEWERAGE STANDARDS					
					34107		APPROVED		PRESSURE MAIN					
					LEVEL DATUM / CAD INDEX NO.		DES. DMO		DISCHARGE TO MANHOLE					
					CC030		DRN. OFC		DATE		SCALE		DRAWING NO.	
					N.Q.E.B. A.T.C. D.O. FILE NO.		MANAGER WATER BUSINESS UNIT		SD.		03.05.01		As Shown	
							ENGINEER - TECHNICAL SERVICES		ENG.		03.05.01		CC030-01	
													A3	
ZONE	REF.	REVISIONS	BY	CKD.	DATE									
1		2				2		4		5		6	7	8