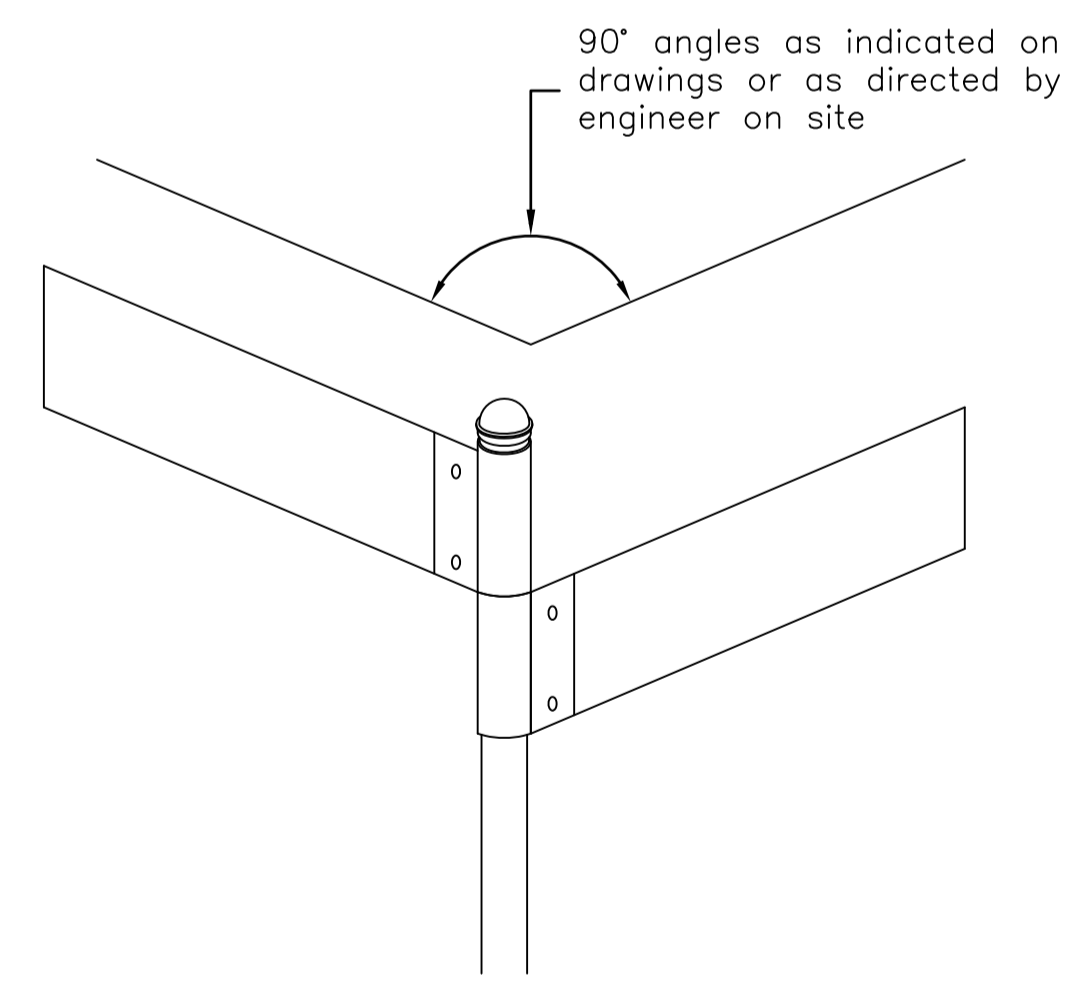
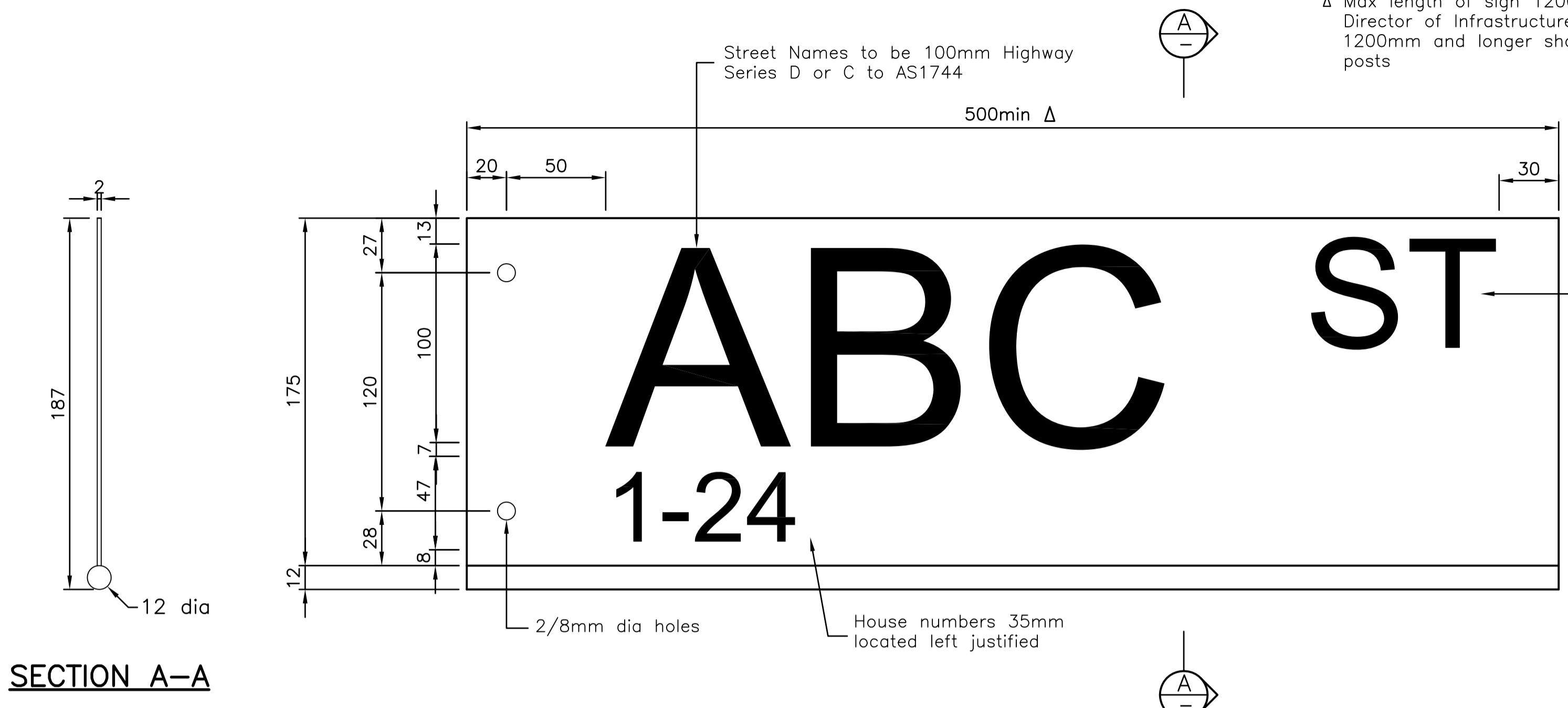


SIGN INSTALLATION DETAIL
Scale 1:10

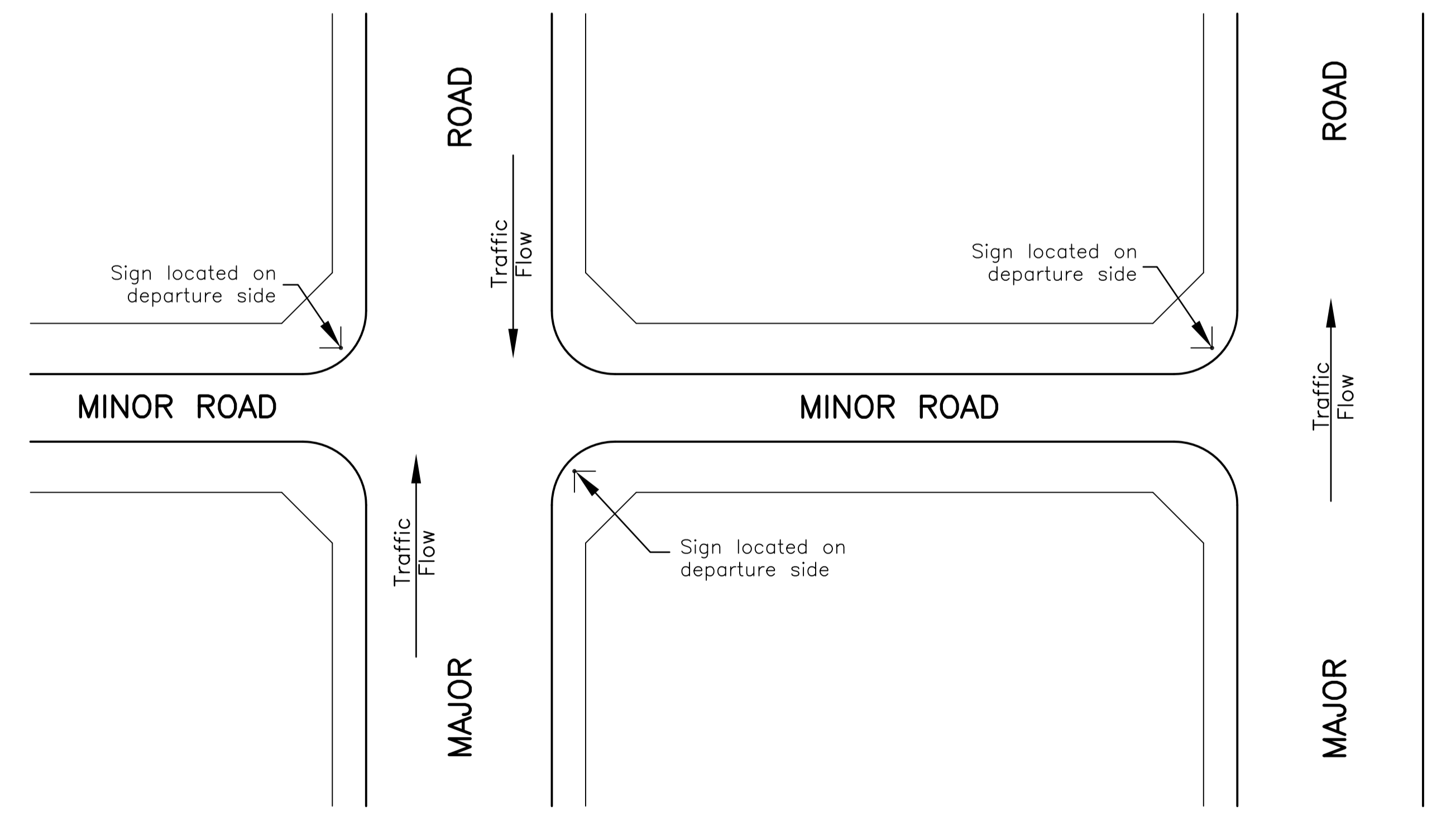


POSITION DETAIL
Scale 1:10

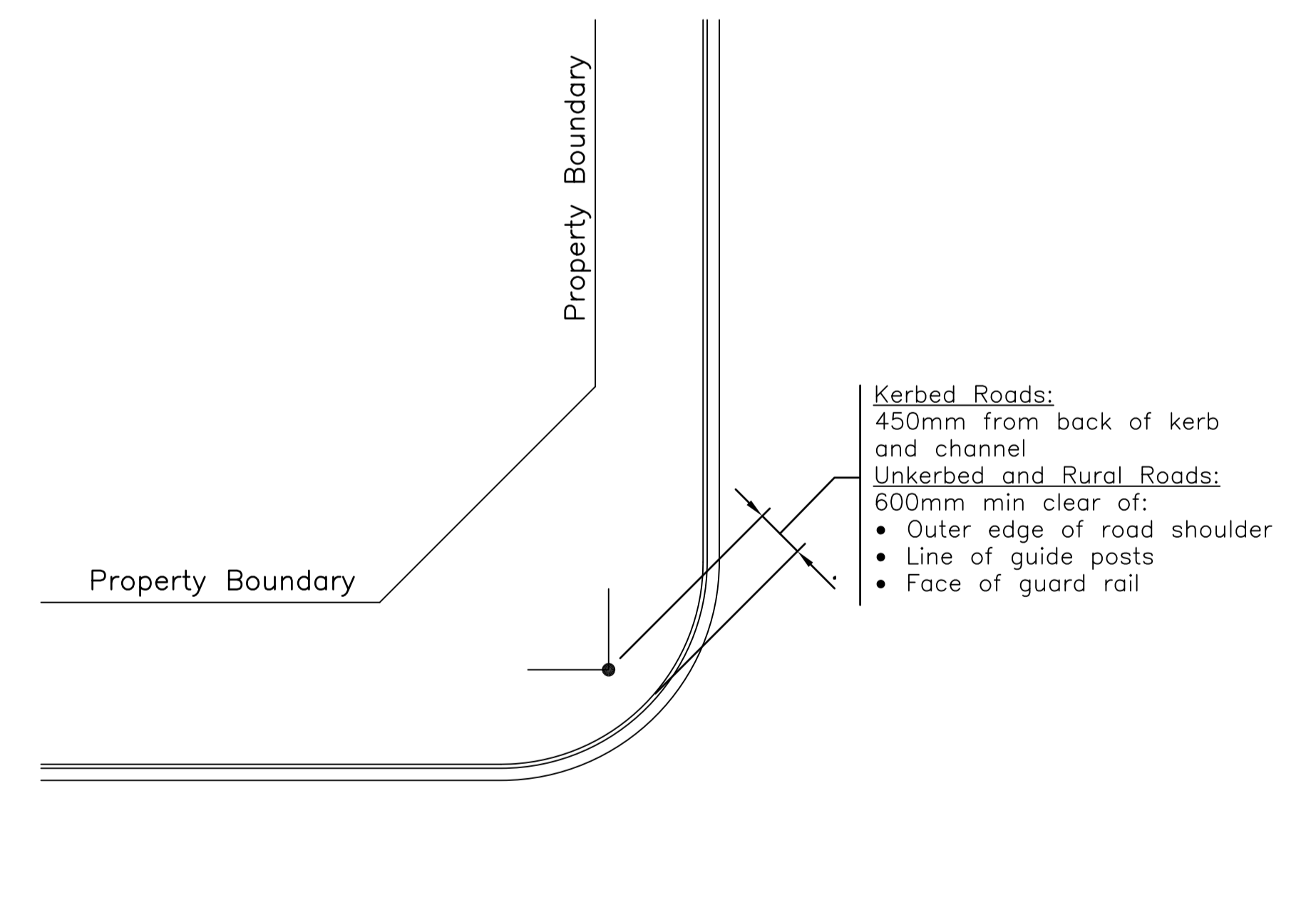


NAME PLATE
Scale 1:2

SECTION A-A



SIGN LOCATION
NTS



LOCATION PLAN
NTS

GENERAL NOTES

- All dimensions are in millimetres unless noted otherwise.
- This plan to be read in conjunction with Manual of Uniform Traffic Control Devices Part 5 – Street Name and Community Facility Name Signs.

COLOURS

- Street Names shall have a black legend on a white background.
- House numbers shall have a black legend on a white background patch.
- Legend and background shall be Class 1 retroreflective material as specified in AS1906 Part 1.

BRACKET

- Two-piece marine grade aluminium bracket suitable for mounting 187mm deep signs on DN50 posts.

NAME PLATE

- The name plate shall be an approved aluminium extrusion nom. 187mm deep and beaded on bottom edge only.

CENTRAL BUSINESS DISTRICT

- Different arrangements apply.

Δ Max length of sign 1200 unless approved by Director of Infrastructure Services. Signs 1200mm and longer shall be mounted on two posts

Abbreviated STREET, ROAD, etc 50mm Highway Series D or C to AS1744

Street Names to be 100mm Highway Series D or C to AS1744

2/8mm dia holes for M6 bolts. All bolts, washers and nuts to be aluminium. Burr bolt thread after installation.

Proprietary Socket fixing to ensure post cannot rotate

Concrete Footing N15 (15MPa)

DN65 (medium) Galvanised Steel Sleeve 700 long

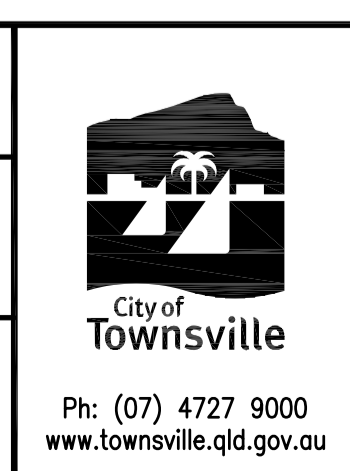
90° angles as indicated on drawings or as directed by engineer on site

No.	DATE	DESCRIPTION	AP'D
A	09/06/2009	Original Issue	
REVISIONS			

NOTES : Supersedes COT Dwg 10135 and TCC Dwg 13817

Full Size A1
Not to Scale

DRAWN: _____ CHECKED: WP
Design Engineer Approved: Original signed by R.Coates
Date: 09/06/2009
Manager Approved: Original signed by B.Sue
Date: 09/06/2009



STREET NAME SIGN AND INSTALLATION DETAILS

STANDARD DRAWING ROADWORKS
SD-065 A