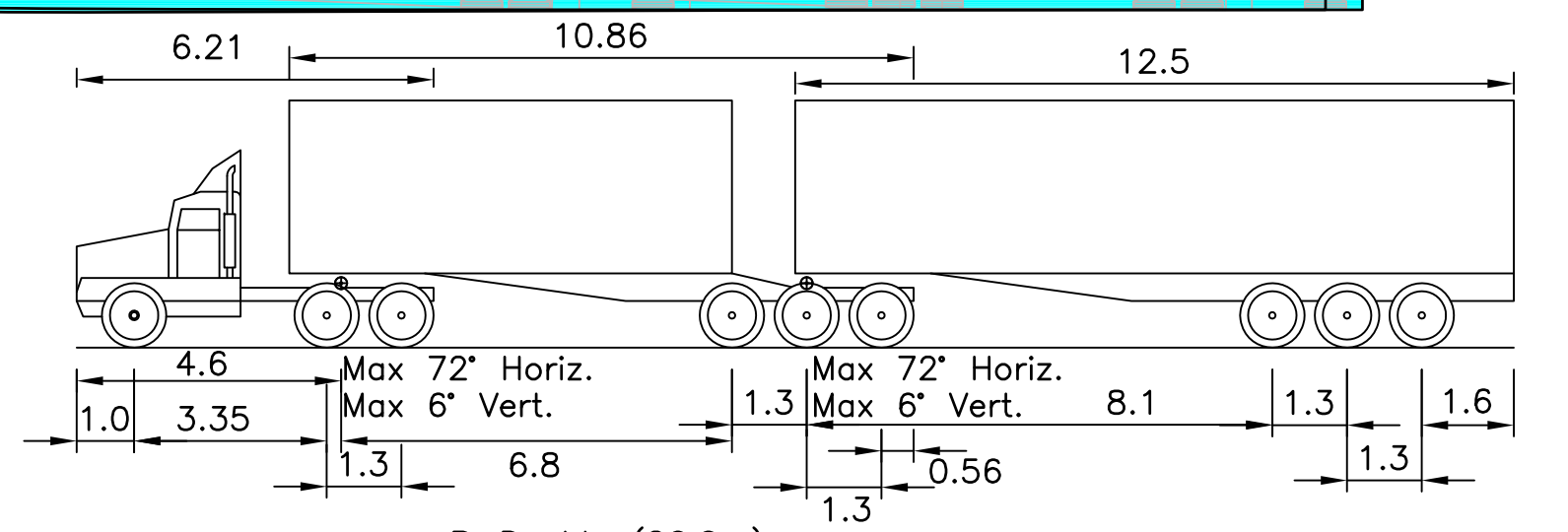


NOTES

1. All dimensions are in metres unless noted otherwise.
2. Driveways are to have clear zones of:
 - 8.5m on the approach side
 - 8.5m on the departure side



B-Double (26.0m)	
Overall Length	up to 26.0m
Overall Width	2.5m
Overall Body Height	4.3m
Min. Body Ground Clearance	0.54m
Track Width	2.5m
Lock to Lock Time	6.0s
Kerb to Kerb Turning Radius	15.0m

No.	DATE	DESCRIPTION	AP'D
REVISIONS			
B	28/02/2014	AMENDMENTS FROM DEVELOPMENT MANUAL CONSULTATION	
A	08/2013	ORIGINAL ISSUE	

NOTES :

Full Size A1
Not to Scale

DRAWN: DESIGN OFFICE
CHECKED: WJP
Design Engineer Approved: Original signed by John Clarke
Date: 28/02/2014
Manager Approved: Original signed by John Clarke
Date: 28/02/2014



**TYPICAL ROAD CROSS SECTIONS
B-DOUBLE TURNING PATH
AND ACCESS PLAN
EXAMPLE DRAWING**

**STANDARD
DRAWING
ROADWORKS**

SD-006 | B