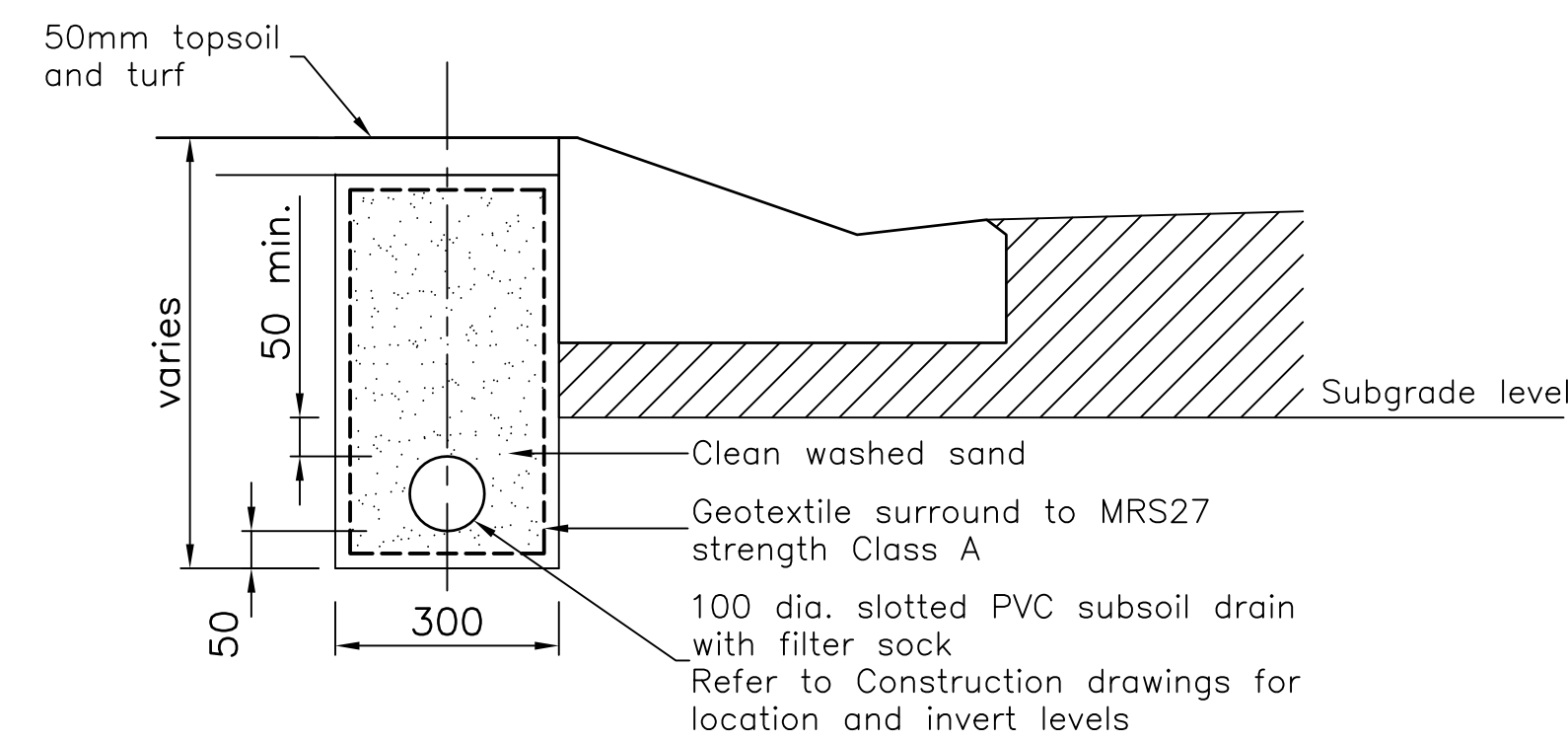
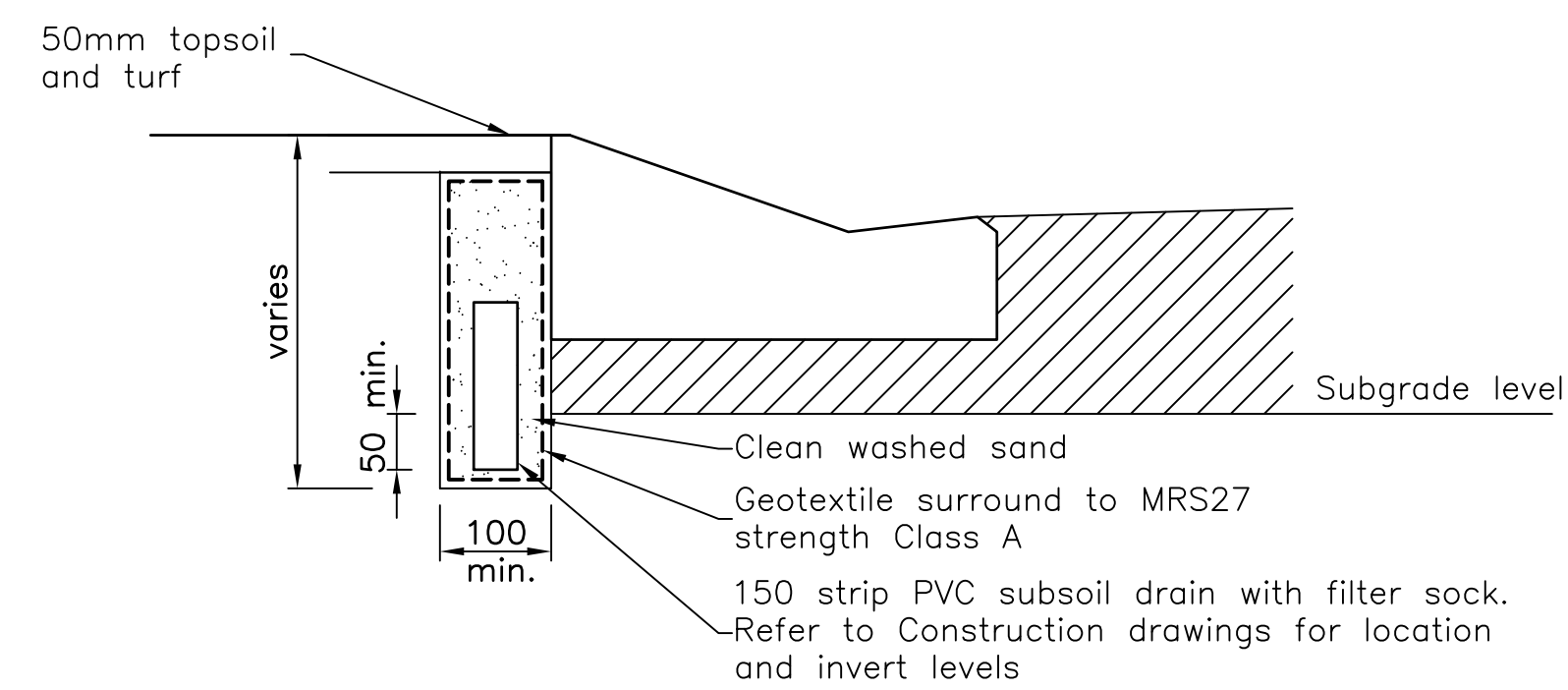


**NOTES**

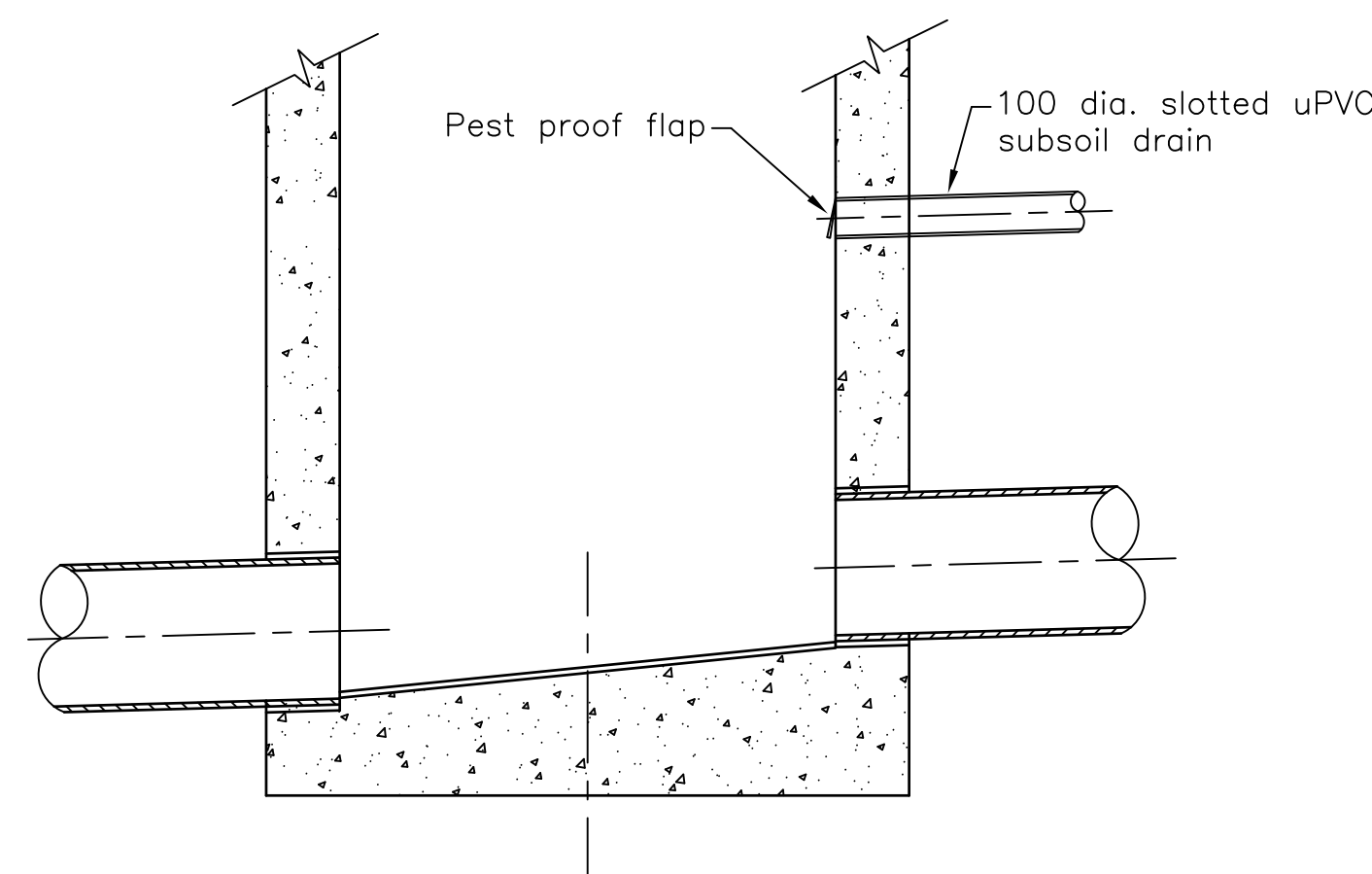
1. All dimensions are in millimetres unless noted otherwise.
2. Subsoil drains to be graded at 0.5% minimum to outlet unless otherwise approved by Council's authorised person.
3. Where the subsoil drain discharges into a stormwater manhole, the outlet of the subsoil drain shall be located above the top of the stormwater pipes.
4. The subsoil drain cleanout points are located at the head of subsoil drain and at 60m maximum spacing.
5. Provide subsoil drains on both sides of the road under the kerb and channel as shown unless otherwise approved by Council's authorised person.



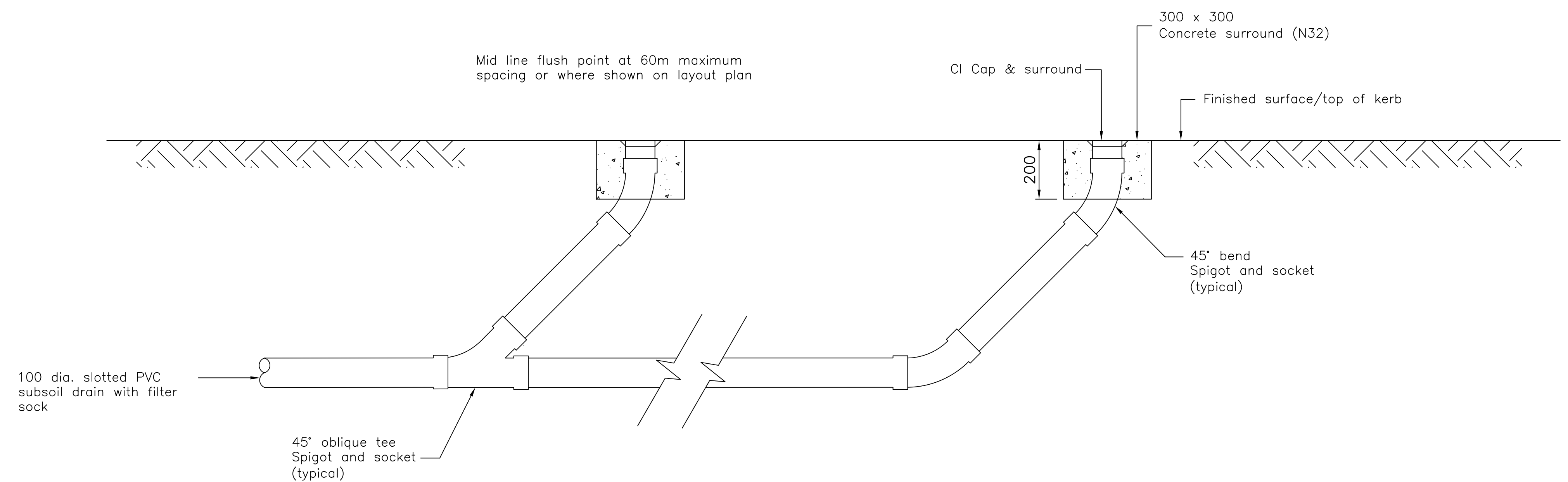
**100 DIA. PIPE TRENCH SECTION**



**150 STRIP DRAIN TRENCH SECTION**



**SUBSOIL DRAIN DETAIL AT MANHOLE AND GULLY PITS**



**SUBSOIL DRAIN CLEANOUT SECTIONAL ELEVATION FOR 100 dia. PIPE**  
(REFER TO MANUFACTURERS DETAIL FOR STRIP DRAIN)

NOTES : Supersedes COT Dwg 10090

Full Size A1

DRAWN: DESIGN OFFICE

CHECKED: WJP

Not to Scale

Design Engineer Approved: J. EL-KHOURI

Date: 03/03/2014

Manager Approved: J. CLARKE

Date: 04/03/2014



Ph: (07) 4727 9000  
www.townsville.qld.gov.au

**SUBSOIL DRAIN**

**STANDARD DRAWING**

**ROADWORKS**

**SD-080**

**D**

No.	DATE	DESCRIPTION	AP'D
D	28/02/14	SUBSOIL TRENCH AND KERB BEDDING AMENDED	
C	06/03/13	FILTER MATERIALS TABLE AND STRIP DRAIN ADDED	
B	27/08/10	GEOTEXTILE NOTE ADDED	
A	12/02/10	ORIGINAL ISSUE	
REVISIONS			