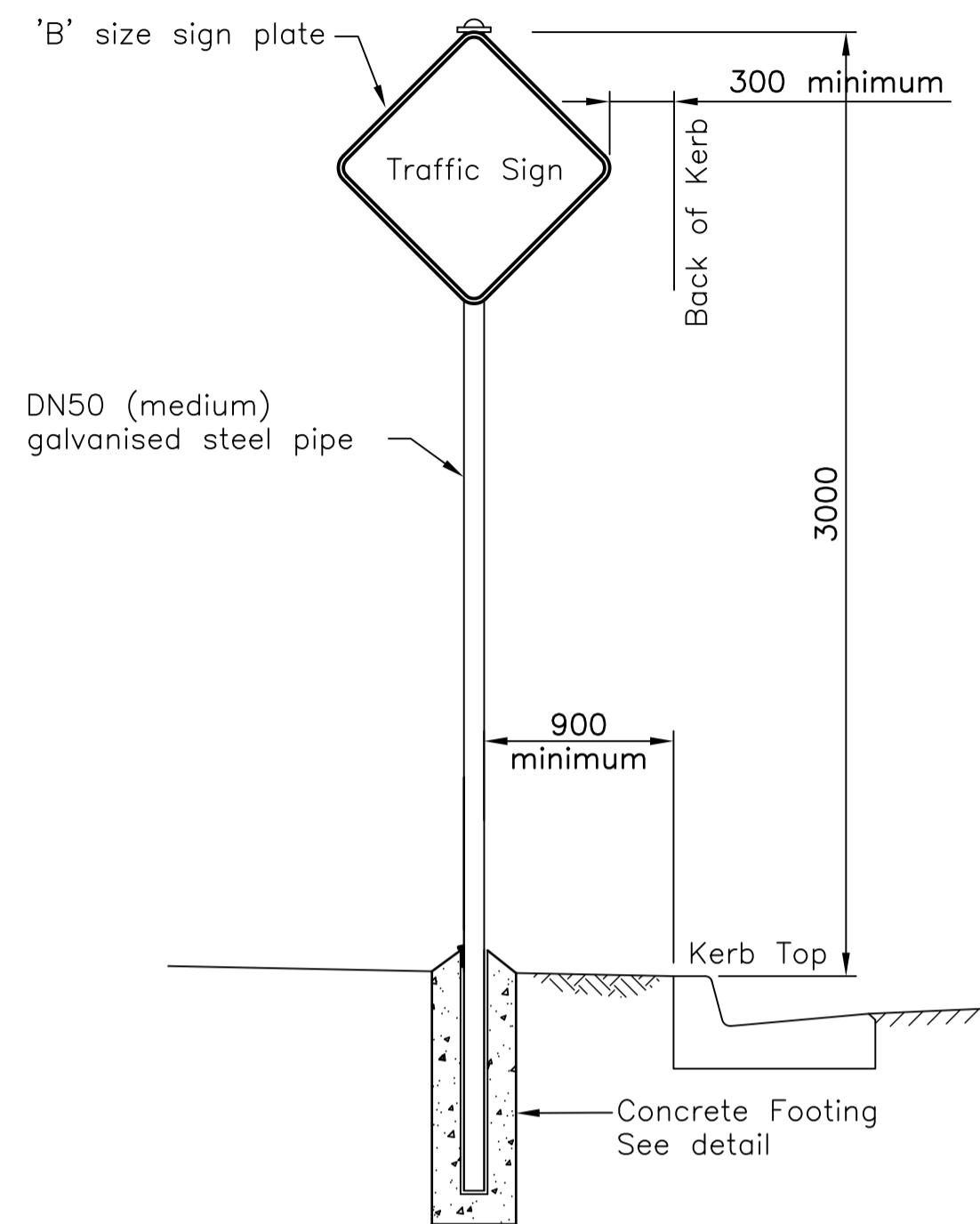
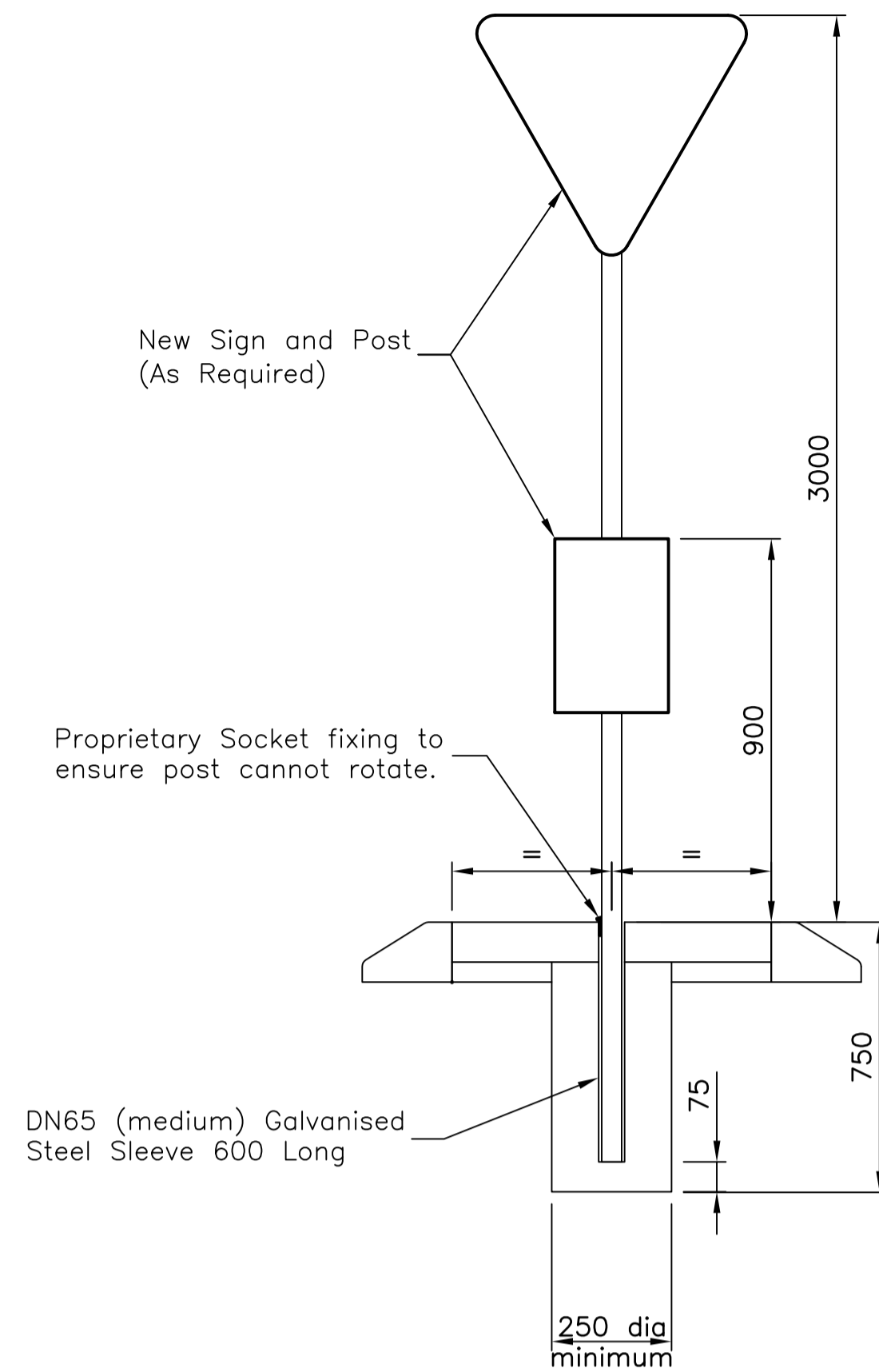


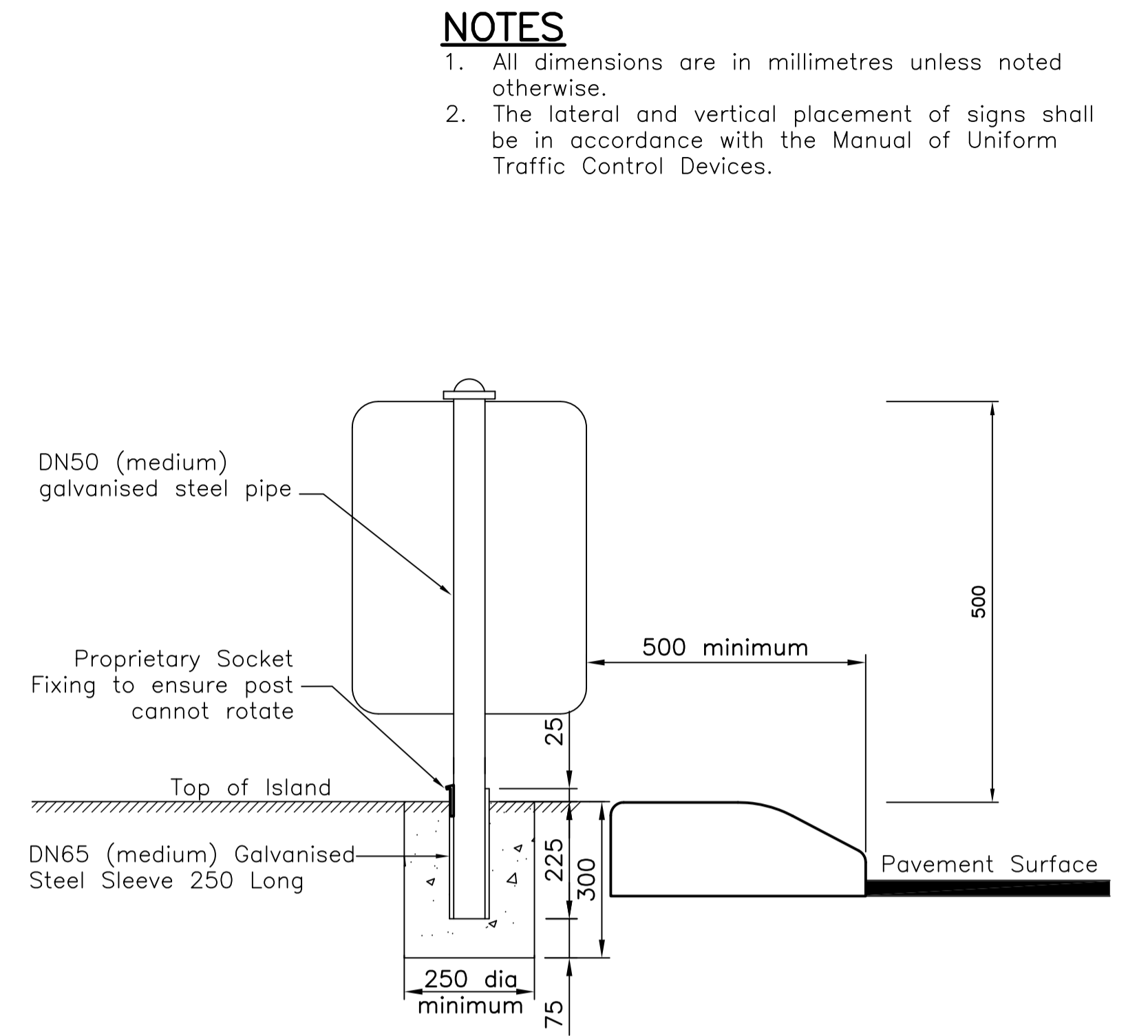
RURAL INSTALLATION



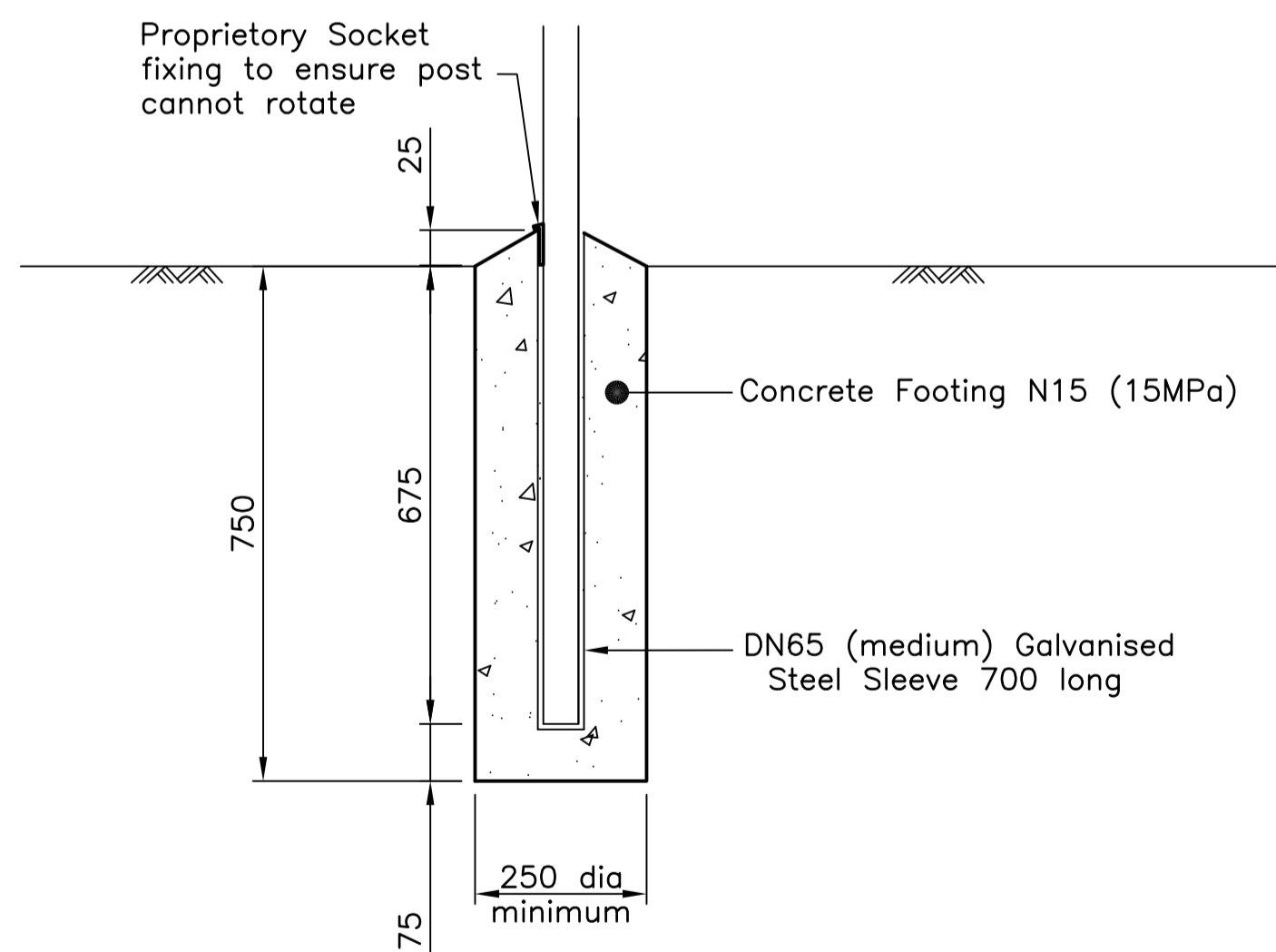
URBAN INSTALLATION



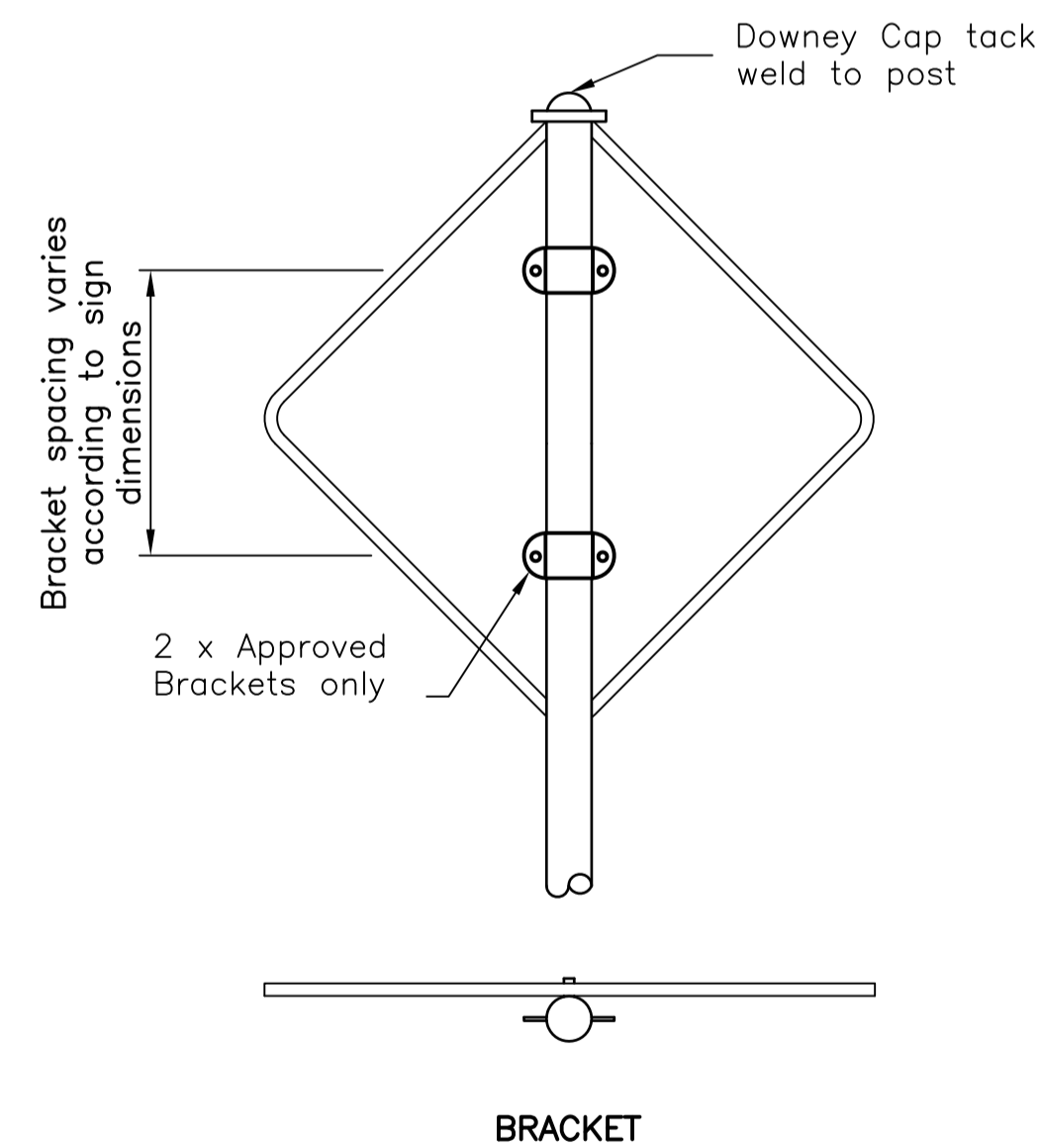
TYPICAL MEDIAN CONCRETE FOOTING DETAIL



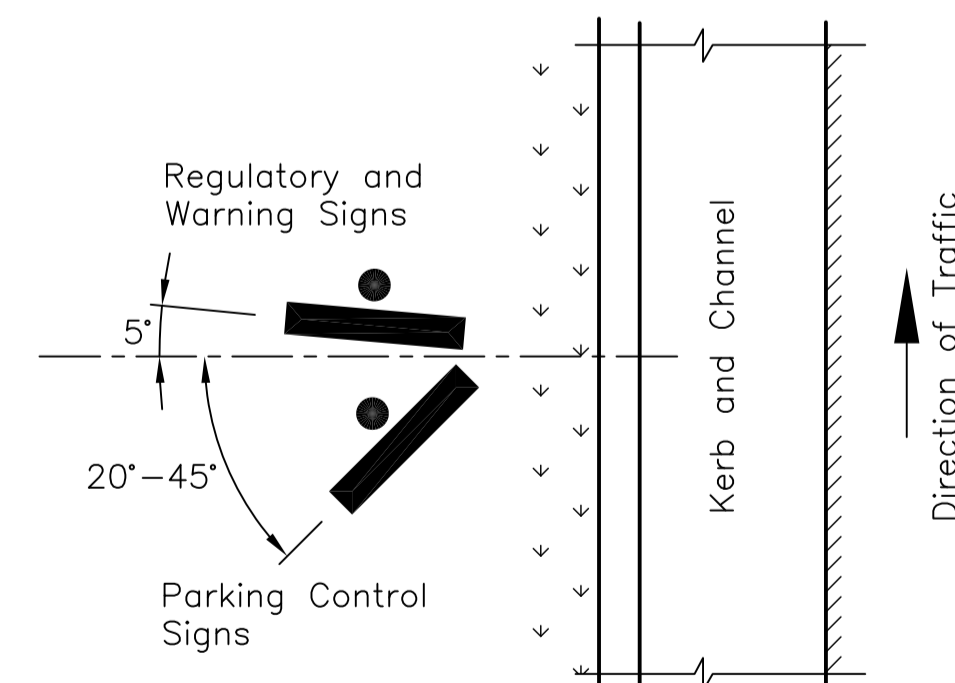
ROUNDABOUT TYPICAL SIGNAGE DETAILS



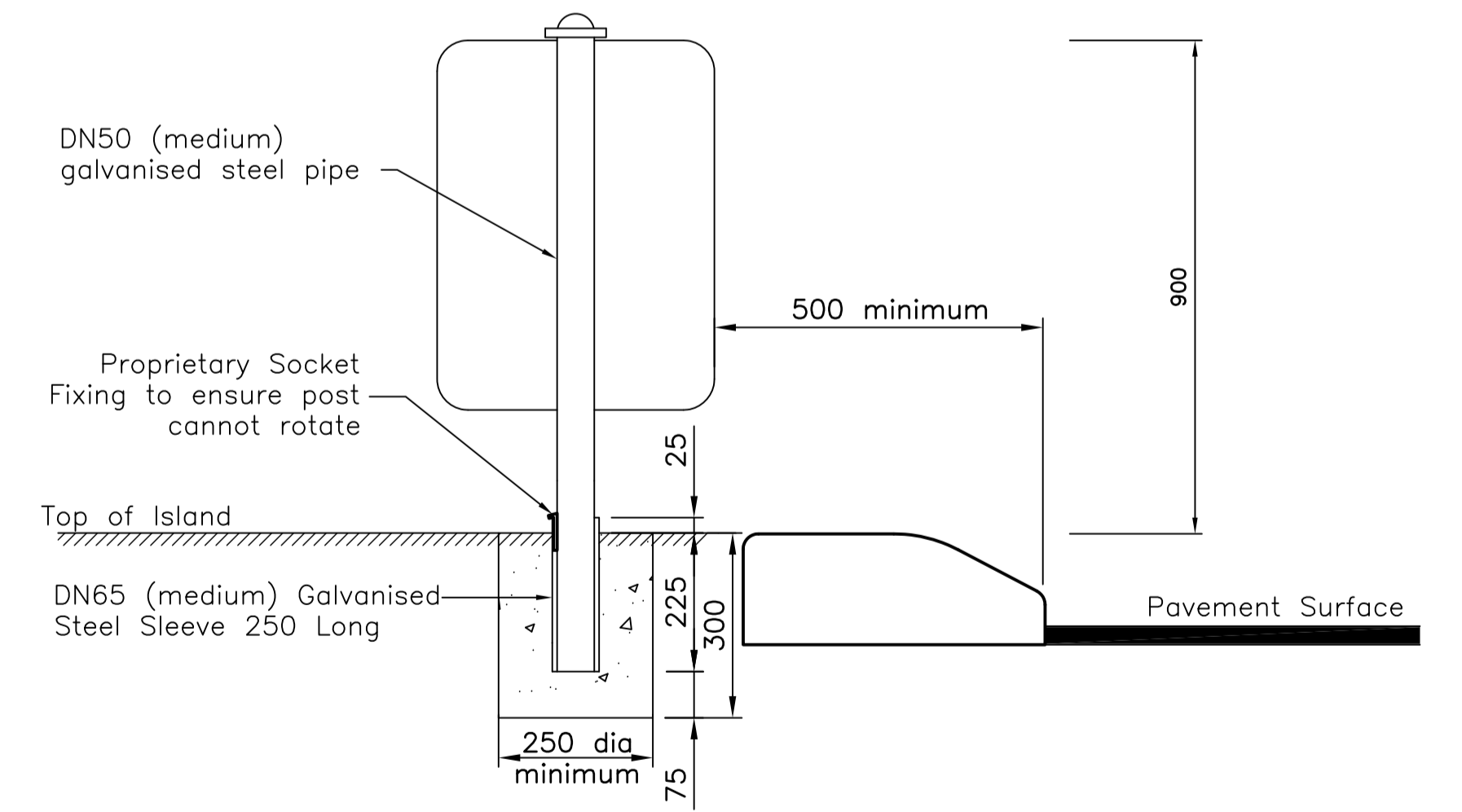
CONCRETE FOOTING DETAIL



SIGN ATTACHMENT OPTION



ANGLE OF INSTALLATION



MEDIAN/TRAFFIC ISLAND TYPICAL SIGNAGE DETAILS

NOTES

1. All dimensions are in millimetres unless noted otherwise.
2. The lateral and vertical placement of signs shall be in accordance with the Manual of Uniform Traffic Control Devices.

NOTES : Supersedes COT Dwg 10130

Full Size A1

Not to Scale

DRAWN:

CHECKED: WP

Design Engineer Approved: Original signed by R.Coates

Date: 09/06/2009

Manager Approved: Original signed by B.Sue

Date: 09/06/2009



Ph: (07) 4727 9000
www.townsville.qld.gov.au

TRAFFIC SIGN INSTALLATION

STANDARD DRAWING

ROADWORKS

SD-060

A

No.	DATE	DESCRIPTION	AP'D
A	09/06/2009	Original Issue	
REVISIONS			