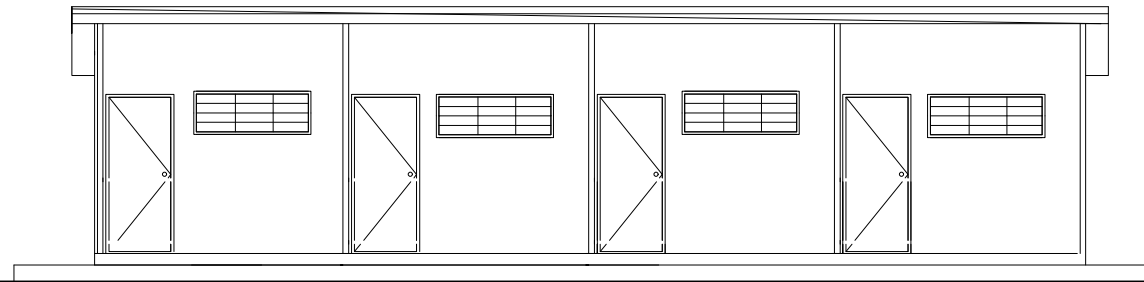
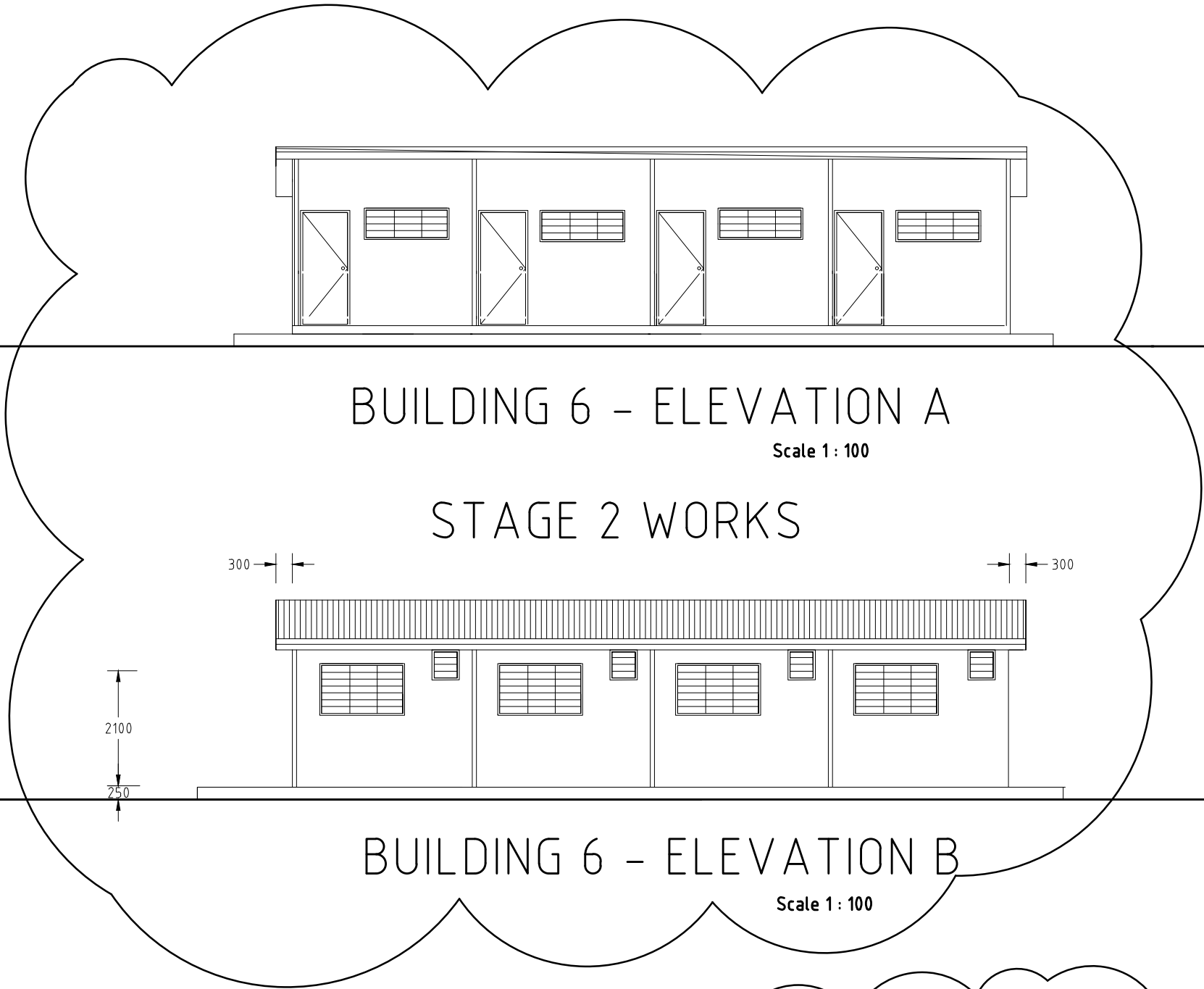


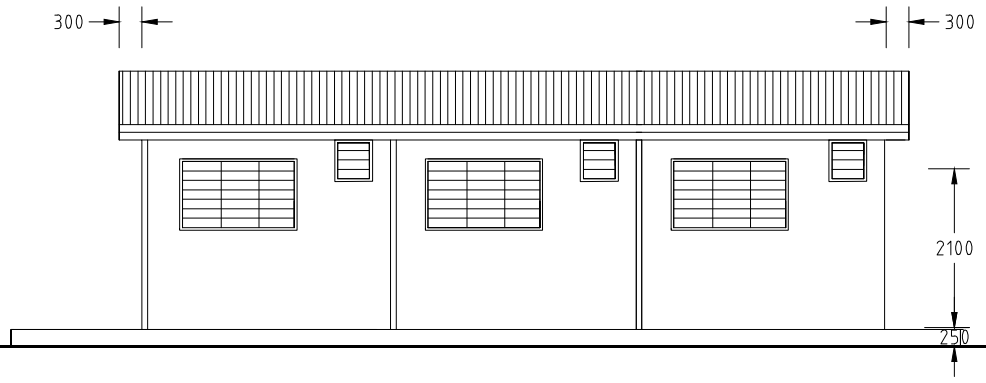
BUILDING 5 - ELEVATION B
Scale 1 : 100



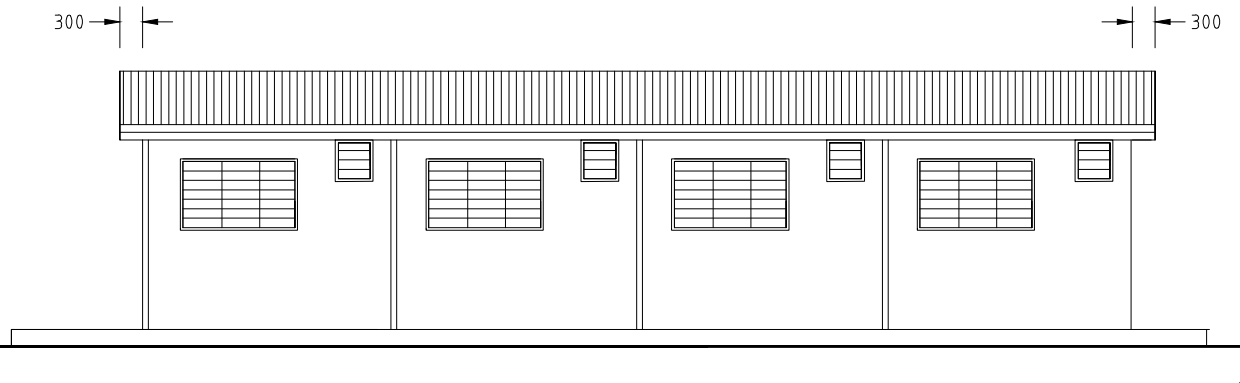
BUILDING 6 - ELEVATION A
Scale 1 : 100



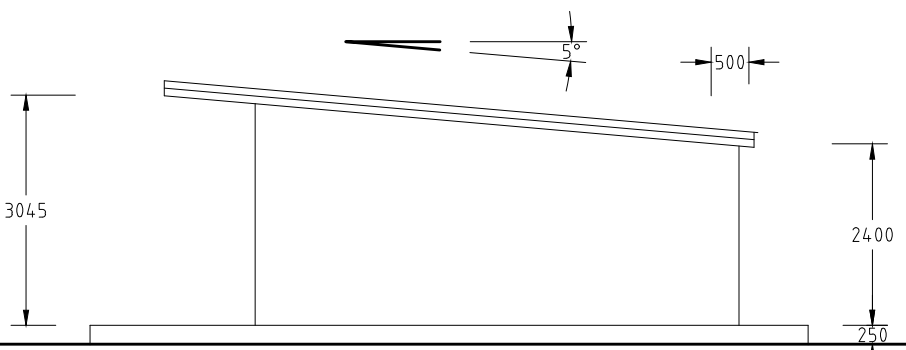
STAGE 2 WORKS



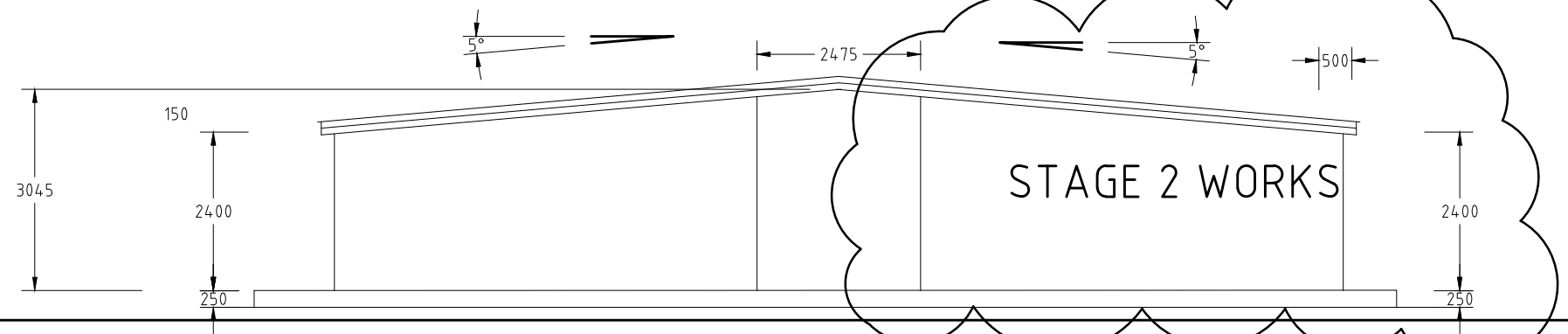
BUILDING 5 - ELEVATION A
Scale 1 : 100



BUILDING 6 - ELEVATION B
Scale 1 : 100



BUILDING 5 - ELEVATION C
Scale 1 : 100



BUILDINGS 5 AND 6 - ELEVATION D
Scale 1 : 100

SITE DETAILS
LOT 169 AND LOT 170
ON PLAN No EP 2263

CLIENT
TOWNSVILLE GUESTHOUSE
PROJECT
PROPOSED 7 ROOM
ACCOMMODATION BUILDING

LOCATION
1-5 STAGPOLE STREET
WEST END
DRAWN

DATE 24-05-2020
SCALE 1 : 100

SHEET TITLE
ELEVATIONS
DRAWING No
GMD 7138/5